



Weyn-Lauwers N.V.

Industriepark-Noord 12
B - 9100 SINT-NIKLAAS

Tel. : 00 32 (0)3 776.34.13
Fax : 00 32 (0)3 778.09.52
weynlauwers@weynlauwers.be
www.weynlauwers.be

LUCIFER 341 solenoid valves

LUCIFER NAMUR 341 SOLENOID PILOT VALVE

DEFINITION

Solenoid pilot valve with monostable or bistable drawers 3/2 or 5/2 for Namur double and simple acting pneumatic actuator. Made in anodised aluminium and equipped with NBR gaskets.

CHARACTERISTICS

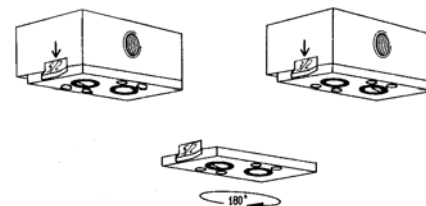
Used with dry or lubricated air, neutral gases.
Model with a spare manual gear
Response times: 10 to 30 ms
Flow: 400 litres per minute
Bore: 4 mm
Pipe connection: 1/4"

ELECTRICAL PARTS

type	Solenoid	Voltage
4210 monostable	T 22	230 V ca
4220 bistable	Classe F	24 V ca
	IP 65	48 V ca
	Conso ac : 2W	110 V ca
	Conso dc : 2,5 W	12 V cc
		24 V cc
4230 monostable	Eex me II T4	230 V ca
	Eex II 2 G/D IP6X	24 V ca
	Zones 1,2,21,22	24 V cc
4240 monostable	Eex ia II C T6 EEx II 1G/D Zones 0 et 20	24 V ca
4245 monostable	PN	
4250 monostable	Eex md II T6	230 V ca
		24 V ca
		24 V cc



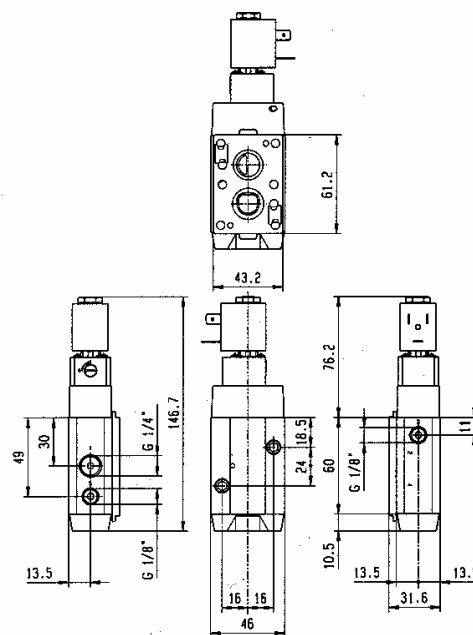
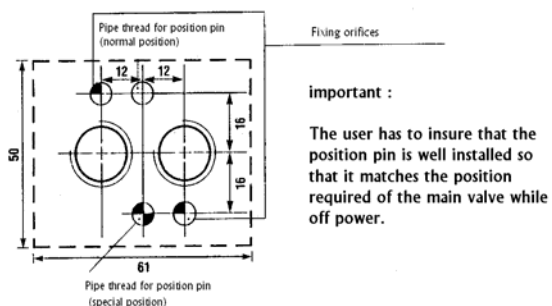
Conversion of the function 5/2 to 3/2

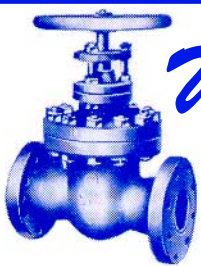


LIMITS OF USE

Pressure range : 2 to 10 bar
Temperature range: -25°C to +60°

DIMENSIONS





Weyn-Lauwers N.V.

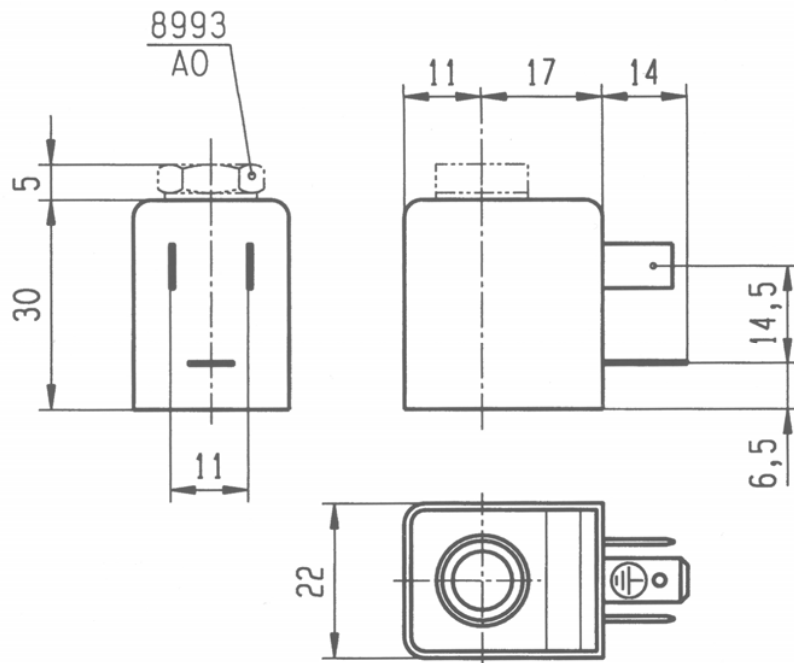
Industriepark-Noord 12
B - 9100 SINT-NIKLAAS

Tel. : 00 32 (0)3 776.34.13
Fax : 00 32 (0)3 778.09.52
weynlauwers@weynlauwers.be
www.weynlauwers.be

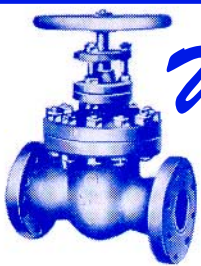
LUCIFER 341
solenoid valves

LUCIFER NAMUR 341 SOLENOID PILOT VALVE

IP 65 SOLENOID WITH PORT CONNECTIONS



Reference		Standard	
Isolation level		488980	
Ambient Temperature		F 155°C	
		-40°C à +50°C	
		The valve may have its own temperature range to take into account	
Power supply	DC	Pn (hot)	2.5 W
		P (cold) 20°C	3 W
	AC	Pn (maintain)	2 W
		Attraction (cold)	5.7 VA (2.5 W)



Weyn-Lauwers N.V.

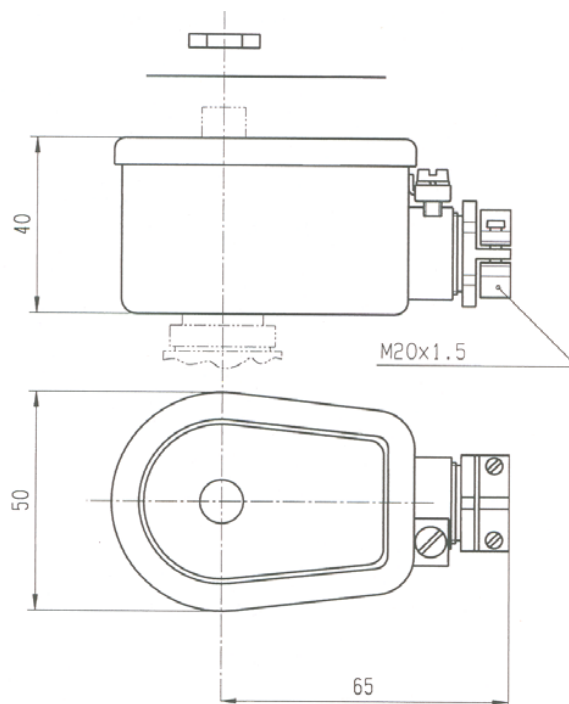
Industriepark-Noord 12
B - 9100 SINT-NIKLAAS

Tel. : 00 32 (0)3 776.34.13
Fax : 00 32 (0)3 778.09.52
weynlauwers@weynlauwers.be
www.weynlauwers.be

LUCIFER 341
solenoid valves

LUCIFER NAMUR 341 SOLENOID PILOT VALVE

« me » SOLENOID TYPE



Reference	483371		
Certification	LCIE 02 ATEX 6011 X		
Protection type	Gas	II 2 G – Eex me II T4	
	Dust	II 2 D – 130°C	
Protection degree	IP67		
Ambient temperature	-40°C à +80°C The valve may have its own temperature range to take into account		
Isolation level	F (155°)		
Electrical connections	Through a cable gland M20x1,5 « Eex e »		
Power supply	DC	Pn (hot)	8 W
		P (cold)	9 W
	AC	Pn (maintain)	8 W
		Attraction cold	32 VA (9 W)
Engaging time	the electrical parts are designed to be permanently engaged		



Weyn-Lauwers N.V.

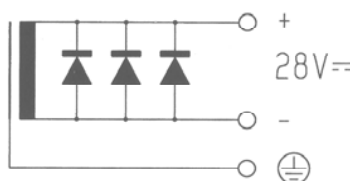
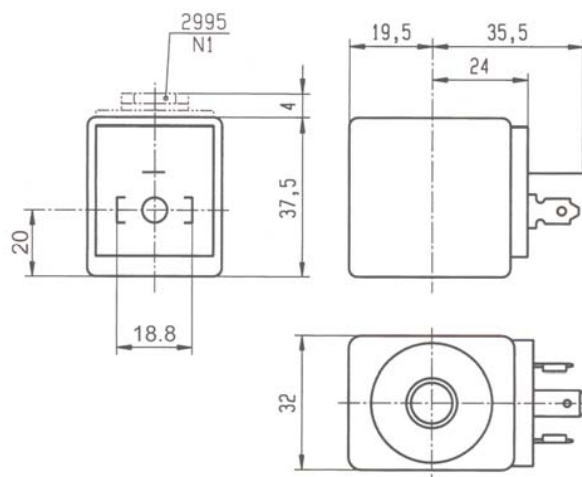
Industriepark-Noord 12
B - 9100 SINT-NIKLAAS

Tel. : 00 32 (0)3 776.34.13
Fax : 00 32 (0)3 778.09.52
weynlauwers@weynlauwers.be
www.weynlauwers.be

LUCIFER 341
solenoid valves

LUCIFER NAMUR 341 SOLENOID PILOT VALVE

« ia » SOLENOID TYPE



Reference		483580.01	
Certification		LCIE 02 ATEX 6065 X	
Protection Type	Gas	II 1 G – Eex me II T6	
	Dust	II 1 D – 80°C	
Protection level		IP65	
Ambient Température		-25°C à +55°C The valve may have its own temperature range to take into account	
Isolation level		F (155°)	
Electrical connections		bipolar ports + ground according to norm EN 175301-803	
Voltage		28 Vcc – 110 mA the minimum voltage to run at 60°C is 14 Vcc	
Power supply	DC	Minimum	50 mW
		Maximum	3W
Depends on the applied voltage, on the barrier type SI and the resistance of the cable			
Solenoid Resistance		340 Ω	
Impedance		340 Ω	
Visible inductance		0 mH	
Visible capacity		0 μF	
Engaging time		the electrical parts are designed to be permanently engaged	