

Weyn-Lauwers N.V.

Industriepark-Noord 12
B - 9100 SINT-NIKLAAS

Tel. : 00 32 (0)3 776.34.13
Fax : 00 32 (0)3 778.09.52
weynlauwers@weynlauwers.be
www.weynlauwers.be

inductieve eindschakelaars P&F NBN3-F31-Z8-V18

Inductive sensor

NBN3-F31-Z8-V18



Model Number

NBN3-F31-Z8-V18

Features

- Direct mounting on standard actuators
- Compact and stable housing
- Fixed setting
- Satisfies machinery directive

Accessories

BT65A

Activator for F31 series

BT65X

Activator for F31 series

BT115A

Activator for F31 series

BT115X

Activator for F31 series

BT65B

Activator for F31 series

BT115B

Activator for F31 series

V18-G

Cable socket in M18 format, ready for make up

V18-W

Cable socket in M18 format, ready for make up

Technical Data

General specifications

Switching element function	Dual (NO)
Rated operating distance	s_n 3 mm
Installation	flush mountable
Output polarity	DC
Assured operating distance	s_a 0 ... 2.43 mm
Reduction factor r_{AI}	0.5
Reduction factor r_{Cu}	0.4
Reduction factor r_{304}	1
Reduction factor r_{317}	1.1

Nominal ratings

Operating voltage	U_B 6 ... 60 V DC
Switching frequency	f 0 ... 500 Hz
Hysteresis	H typ. 5 %
Reverse polarity protection	reverse polarity tolerant
Short-circuit protection	no
Voltage drop	U_d \leq 6 V
Operating current	I_L 4 ... 100 mA
Lowest operating current	I_m 4 mA
Off-state current	I_r 0 ... 1 mA typ. 0.7 mA
Time delay before availability	t_v \leq 1 ms
Switching state indicator	LED, yellow

Limit data

Tightening torque, fastening screws	0.4 Nm
-------------------------------------	--------

Functional safety related parameters

MTTF _d	590 a
Mission Time (T_{M1})	20 a
Diagnostic Coverage (DC)	0 %

Ambient conditions

Ambient temperature	-25 ... 70 °C (-13 ... 158 °F)
---------------------	--------------------------------

Mechanical specifications

Connection type	Connector M18 x 1, 4-pin
Housing material	PBT
Sensing face	PBT
Degree of protection	IP67

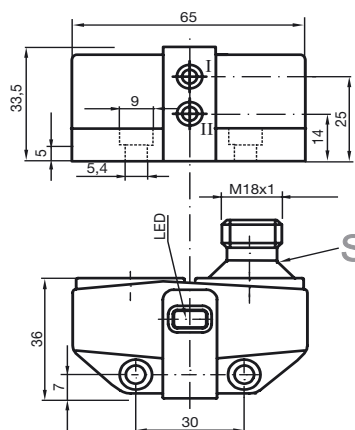
Compliance with standards and directives

Standard conformity	
Standards	EN 60947-5-2:2007 IEC 60947-5-2:2007

Approvals and certificates

UL approval	cULus Listed, General Purpose
CSA approval	cCSAus Listed, General Purpose
CCC approval	Certified by China Compulsory Certification (CCC)

Dimensions



Electrical Connection

Z8-V18

