

# Weyn-Lauwers N.V.

Industriepark-Noord 12  
B - 9100 SINT-NIKLAAS

Tel. : 00 32 (0)3 776.34.13  
Fax : 00 32 (0)3 778.09.52  
weynlauwers@weynlauwers.be  
www.weynlauwers.be

## inductieve eindschakelaars P&F NCN3-F31-N4-V18

Inductive sensor

NCN3-F31-N4-V18-Y202412



CE  
0102

SP  
C US

UL  
C US

### Model Number

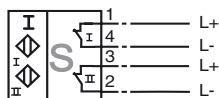
NCN3-F31-N4-V18-Y202412

### Features

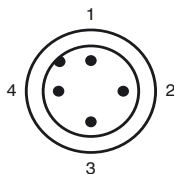
- Direct mounting on standard actuators
- Compact and stable housing
- Fixed setting
- Satisfies machinery directive
- EC-Type Examination Certificate TÜV99 ATEX 1479X

### Connection

N4-V18-Y202412



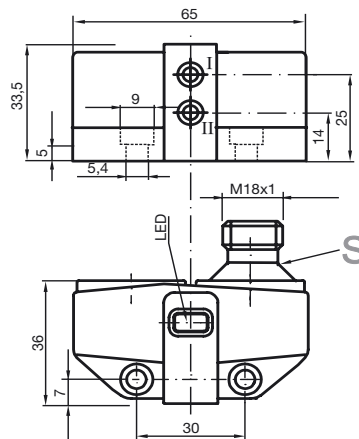
### Pinout



Wire colors in accordance with EN 60947-5-2

1	BN	(brown)
2	WH	(white)
3	BU	(blue)
4	BK	(black)

### Dimensions



### Technical Data

#### General specifications

Switching element function		DC	Dual NC
Rated operating distance	$s_n$	3 mm	
Installation		flush mountable	
Output polarity		NAMUR	
Assured operating distance	$s_a$	0 ... 2.43 mm	
Reduction factor $r_{Al}$		0.5	
Reduction factor $r_{Cu}$		0.4	
Reduction factor $r_{304}$		1	
Reduction factor $r_{317}$		1.2	

#### Nominal ratings

Nominal voltage	$U_o$	8 V
Switching frequency	$f$	0 ... 200 Hz
Reverse polarity protected		reverse polarity protected
Short-circuit protection		yes
Suitable for 2:1 technology		yes, Reverse polarity protection diode not required
Current consumption		
Measuring plate not detected		$\geq 3$ mA
Measuring plate detected		$\leq 1$ mA
Indication of the switching state		LED, yellow

#### Functional safety related parameters

MTTF <sub>d</sub>	1980 a
Mission Time ( $T_M$ )	20 a
Diagnostic Coverage (DC)	0 %

#### Ambient conditions

Ambient temperature	-25 ... 70 °C (-13 ... 158 °F)
Storage temperature	-40 ... 70 °C (-40 ... 158 °F)

#### Mechanical specifications

Connection (system side)	V18 connector
Housing material	PBT
Sensing face	PBT
Protection degree	IP67

#### General information

Use in the hazardous area	see instruction manuals
Category	1G; 2G; 3G

#### Compliance with standards and directives

Standard conformity	
NAMUR	EN 60947-5-6:2000 IEC 60947-5-6:1999
Electromagnetic compatibility	NE 21:2007
Standards	EN 60947-5-2:2007 IEC 60947-5-2:2007

#### Approvals and certificates

UL approval	cULus Listed, General Purpose
CSA approval	cCSAus Listed, General Purpose