



Weyn-Lauwers N.V.

Industriepark-Noord 12
B - 9100 SINT-NIKLAAS

Tel. : 00 32 (0)3 776.34.13
Fax : 00 32 (0)3 778.09.52
weynlauwers@weynlauwers.be
www.weynlauwers.be

BUTTERFLY VALVES WAFER TYPE SS DISC fig 215V

DESIGN FEATURES

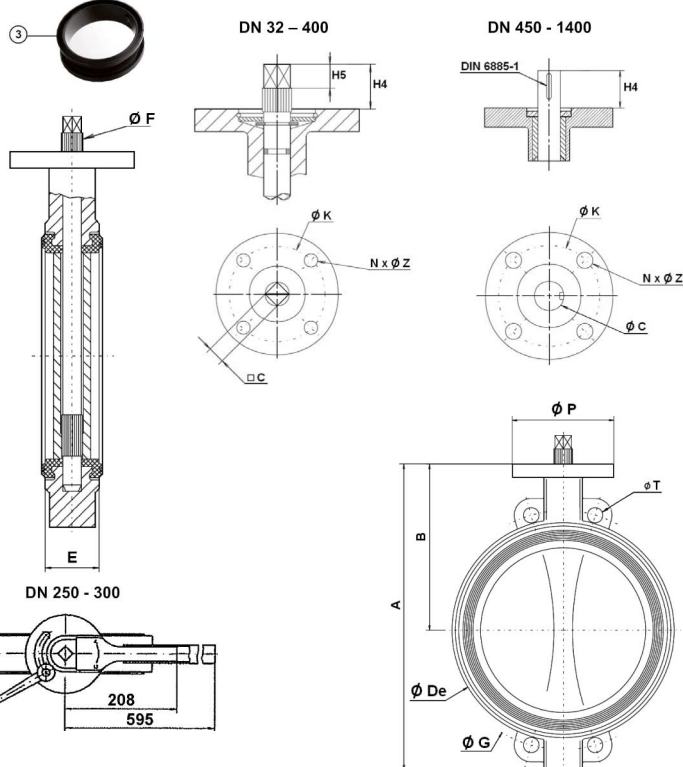
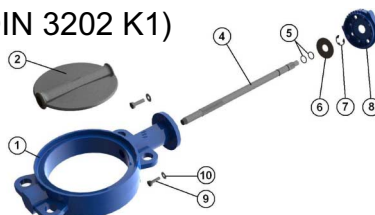
- **wafer type butterfly valve** dn32 - dn1400 PN10/16
- temp : -10°C +180°C
- specifications :
 - SS disc / FKM (VITON) body seat
 - installation between flanges pn10/16 and ansi 150
 - mounting plate ISO 5211 - DIN 3337
 - face to face UNE EN 558-1 serie 20 (DIN 3202 K1)
 - from 12" handling with gear box

USE

- for all common fluids
- 16 bar up to dn300 / 10 bar over

MATERIALS

| item | Part name | Material |
|------|--------------|---------------------------|
| 1 | body | ductile iron EN GJS-500-7 |
| 2 | disc | SS 316 |
| 3 | elastic ring | FKM (VITON) |
| 4 | stem | SS 304 |
| 5 | O-ring | EPDM |
| 6 | ring | Steel |
| 7 | circlips | Steel |
| 8 | plate | Aluminium |
| 9 | plate screw | 5.6 |
| 10 | washer | steel |
| | lever | aluminium |



SIZE (in mm)

| DN | 40 | 50 | 65 | 80 | 100 | 125 | 150 | 200 | 250 | 300 | 350 | 400 | 450 | 500 |
|------|--------|--------|--------|--------|--------|--------|--------|--------|--------|--------|--------|--------|--------|--------|
| A | 206 | 228 | 243 | 266 | 294 | 324 | 349 | 438 | 461 | 523 | 582 | 645 | 738 | 822 |
| B | 140 | 156 | 162 | 170 | 185 | 207 | 216 | 256 | 248 | 280 | 300 | 340 | 394 | 440 |
| De | 82 | 102 | 119 | 135 | 155 | 185 | 208 | 270 | 328 | 381 | 437 | 486 | 538 | 595 |
| E | 33 | 43 | 46 | 46 | 52 | 56 | 56 | 60 | 68 | 78 | 78 | 102 | 114 | 127 |
| F | 10,5 | 10,5 | 14,5 | 16,5 | 16,5 | 18,5 | 18,5 | 22,5 | 25,5 | 30,5 | 30,5 | 35,5 | 50 | 50 |
| G | 110 | 125 | 145 | 160 | 180 | 210 | 240 | 295 | 350 | 400 | 460 | 515 | 565 | 620 |
| P | 88 | 88 | 88 | 88 | 88 | 105 | 105 | 105 | 150 | 150 | 170 | 170 | 175 | 175 |
| T | 18 | 18 | 18 | 18 | 18 | 18 | 23 | 23 | 23 | 23 | 23 | 27 | M24 | M24 |
| kg | 2,46 | 3,66 | 4,40 | 4,60 | 6,00 | 7,6 | 9,2 | 14,7 | 24,7 | 33 | 39 | 52 | 87 | 117 |
| C | 8 | 8 | 9 | 11 | 11 | 14 | 14 | 17 | 19 | 22 | 22 | 27 | 50 | 50 |
| ISO | F07 | F07 | F07 | F07 | F07 | F07 | F07 | F07 | F10 | F10 | F14 | F14 | F14 | F14 |
| H4 | 30 | 30 | 30 | 30 | 30 | 30 | 30 | 30 | 40 | 40 | 40 | 40 | 80 | 80 |
| ref. | 215.07 | 215.09 | 215.10 | 215.11 | 215.12 | 215.13 | 215.14 | 215.16 | 215.18 | 215.20 | 215.22 | 215.24 | 215.26 | 215.28 |