

Weyn-Lauwers N.V.

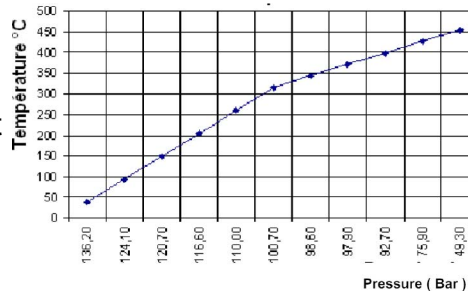
Industriepark-Noord 12
B - 9100 SINT-NIKLAAS

Tel. : 00 32 (0)3 776.34.13
Fax : 00 32 (0)3 778.09.52
weynlauwers@weynlauwers.be
www.weynlauwers.be

FORGED GATE VALVE
BSP - 800LBS
carbon steel
FIG 325bsp

DESIGN FEATURES

- forged gate valve 3/8"-2"
- **threaded BSP**
- min. temp : -20°C
- max. temp : +440°C
- specifications : rising stem
bolted bonnet
gland pack
reduced bore

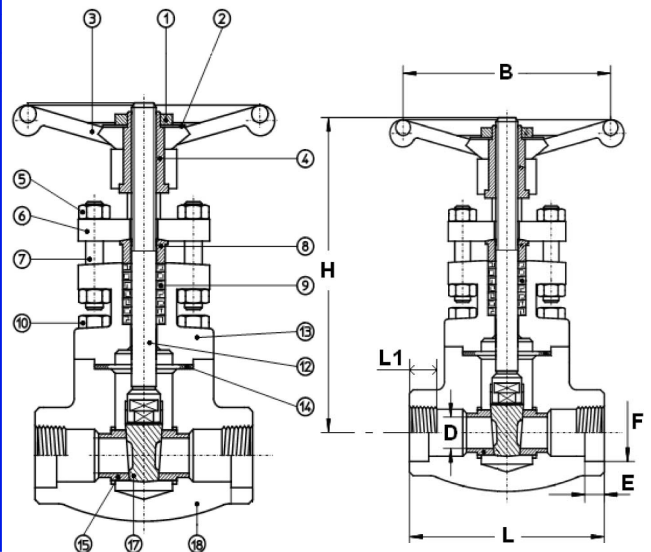


USE

- for all common fluids max. press. 138 bar

MATERIALS

item	Part name	Material
1	wheel nut	carbon steel
2	name plate	aluminium
3	handwheel	carbon steel
4	Yoke nut	ASTM A582 type 416
5	Gland nut	ASTM A194 2H
6	Gland flange	ASTM A105
7	Gland stuk	SS 410
8	Gland	ASTM A276 type 410
9	packing	graphite
10	bolts	ASTM A193 B7
11	stem	ASTM A276 type 410
12	bonnet	ASTM A105N
13	gasket	SS316+graphite spiral w.
14	seat	ASTM A276 + stellite Gr 6'
17	wedge	ASTM A182F6
18	body	ASTM A105N



SIZE (in mm)

DN	3/8"	1/2"	3/4"	1"	1 1/4"	1 1/2"	2"			
D	9,6	9,6	14	18	24	30	36,5			
L	80	80	90	110	127	127	127			
H open	148	148	163	178	210	243	262			
B	90	90	90	110	110	130	130			
L1	13	15	18	19	20	21	21			
Kv m3h	3,7	4,8	10,4	23,4	47,6	69,2	90,8			
kg	1,84	1,84	2,06	3,35	4,90	6,50	8,80			
ref.	325bsp.03	325bsp.04	325bsp.05	325bsp.06	325bsp.07	325bsp.08	325bsp.09			