

**Weyn-Lauwers** N.V.

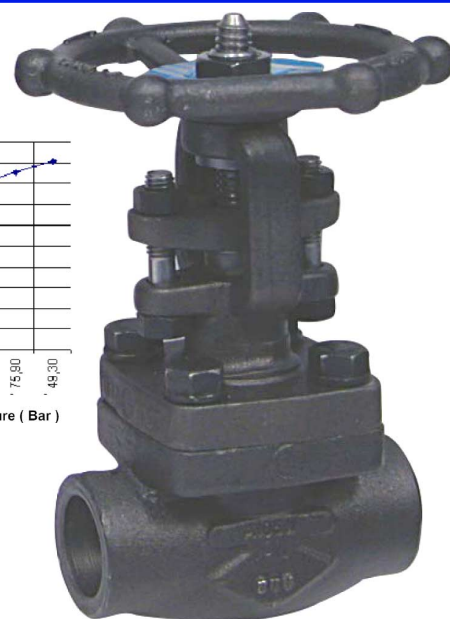
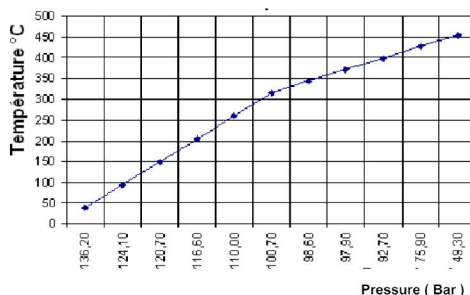
Industriepark-Noord 12  
B - 9100 SINT-NIKLAAS

Tel. : 00 32 (0)3 776.34.13  
Fax : 00 32 (0)3 778.09.52  
weynlauwers@weynlauwers.be  
www.weynlauwers.be

**FORGED GATE VALVE**  
**SW - 800LBS**  
**carbon steel**  
**FIG 326**

**DESIGN FEATURES**

- forged gate valve 3/8"-2"
- **welding ends socket weld**
- min. temp : -20°C
- max. temp : +440°C
- specifications : rising stem  
bolted bonnet  
gland pack  
reduced bore

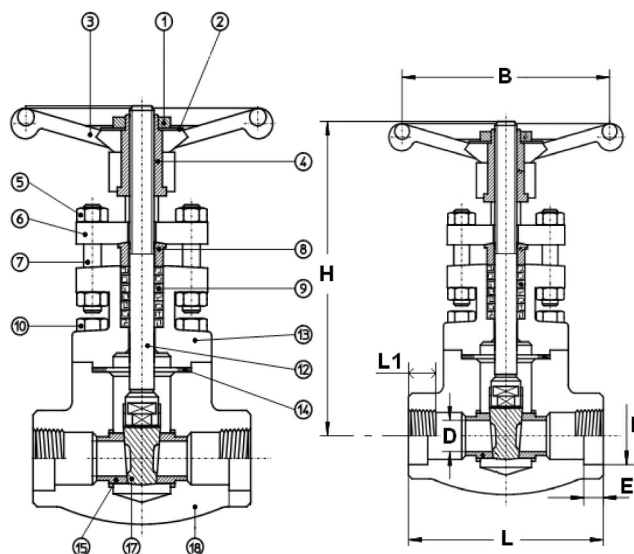


**USE**

- for all common fluids max. press. 138 bar

**MATERIALS**

item	Part name	Material
1	wheel nut	carbon steel
2	name plate	aluminium
3	handwheel	carbon steel
4	Yoke nut	ASTM A582 type 416
5	Gland nut	ASTM A194 2H
6	Gland flange	ASTM A105
7	Gland stuk	SS 410
8	Gland	ASTM A276 type 410
9	packing	graphite
10	bolts	ASTM A193 B7
11	stem	ASTM A276 type 410
12	bonnet	ASTM A105N
13	gasket	SS316+graphite spiral w.
14	seat	ASTM A276 + stellite Gr 6'
17	wedge	ASTM A182F6
18	body	ASTM A105N



**SIZE (in mm)**

DN	3/8"	1/2"	3/4"	1"	1 1/4"	1 1/2"	2"			
D	9,6	9,6	14	18	24	30	36,5			
L	80	80	90	110	127	127	127			
H open	148	148	163	178	210	243	262			
B	90	90	90	110	110	130	130			
E	11,1	12,7	14,5	16	17,5	19	22			
F	17,6	21,72	27,05	33,78	42,54	48,64	61,11			
Kv m3h	3,7	4,8	10,4	23,4	47,6	69,2	90,8			
kg	1,84	1,84	2,06	3,35	4,9	6,5	8,8			
ref.	326.03	326.04	326.05	326.06	326.07	326.08	326.09			