

**Weyn-Lauwers** N.V.

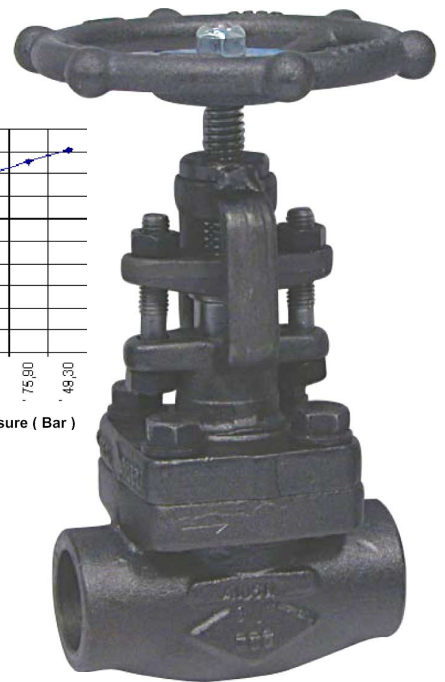
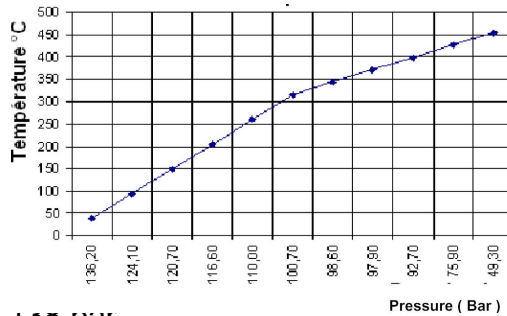
Industriepark-Noord 12  
B - 9100 SINT-NIKLAAS

Tel. : 00 32 (0)3 776.34.13  
Fax : 00 32 (0)3 778.09.52  
weynlauwers@weynlauwers.be  
www.weynlauwers.be

**FORGED GLOBE VALVE**  
**NPT - 800LBS**  
**carbon steel**  
**FIG 425**

**DESIGN FEATURES**

- forged globe valve 3/8"-2"
- **threaded NPT**
- min. temp : -20°C
- max. temp : +440°C
- specifications : rising stem  
bolted bonnet  
gland pack  
reduced bore

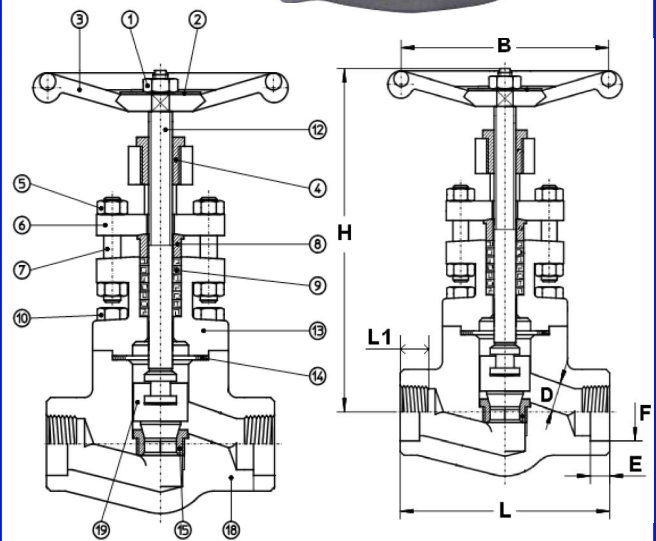


**USE**

- for all common fluids max. press. 150 bar

**MATERIALS**

item	Part name	Material
1	wheel nut	carbon steel
2	name plate	aluminium
3	handwheel	carbon steel
4	Yoke nut	ASTM A582 type 416
5	Gland nut	ASTM A194 2H
6	Gland flange	ASTM A105
7	Gland stuk	SS 410
8	Gland	ASTM A276 type 410
9	packing	graphite
10	bolts	ASTM A193 B7
11	stem	ASTM A276 type 410
12	bonnet	ASTM A105N
13	gasket	SS316+graphite spiral w.
14	seat	ASTM A276 + stellite Gr 6'
18	body	ASTM A105N
19	disc	ASTM A276 type 410



**SIZE (in mm)**

DN	3/8"	1/2"	3/4"	1"	1 1/4"	1 1/2"	2"			
D	9	9	13	17,5	22,5	29,5	35			
L	80	80	90	110	127	155	170			
H open	148	148	165	180	213	248	257			
B	90	90	90	110	130	130	180			
L1	13	15	18	19	20	21	21			
Kv m3h	1,2	1,3	3,3	5,9	9,5	12,4	21,6			
kg	1,9	1,9	2,14	3,42	5,14	7,06	11,0			
ref.	425.03	425.04	425.05	425.06	425.07	425.08	425.09			