



**Weyn-Lauwers** N.V.

Industriepark-Noord 12  
B - 9100 SINT-NIKLAAS

Tel. : 00 32 (0)3 776.34.13  
Fax : 00 32 (0)3 778.09.52  
weynlauwers@weynlauwers.be  
www.weynlauwers.be

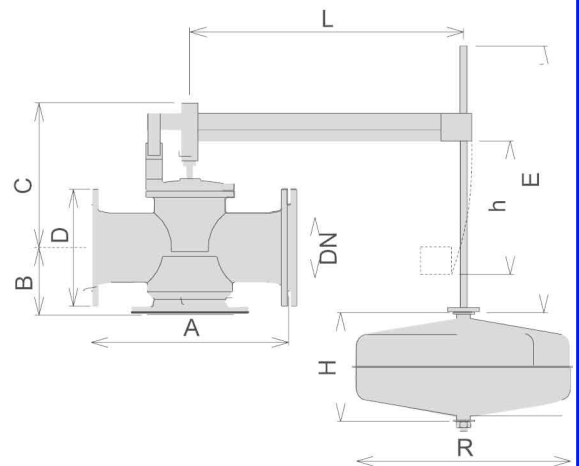
**VLOTTERAFSLUITER  
GJS 500-7 / GGG50  
PN16 - fig 965**

## Equilibrium ball float valve with balanced single seat



## Weight and dimensions

DN mm	A mm	B mm	C mm	D mm	L mm	H mm	R mm	h mm	E mm	Wt Kg
40	230	82,5	173	165	600	Ø220		105	525	21
50	230	82,5	173	165	600	Ø220		105	525	21
65	290	92,5	193	185	600	Ø220		180	525	26
80	310	100	235	200	800	200	300	210	820	33
100	350	125	233	220	800	180	400	267	820	41
125	400	125	238	250	800	180	400	267	820	49
150	480	162	371	285	1000	250	400	400	820	79
200	600	183	420	340	1000	250	400	418	820	118
250	730	270	540	405	1220	300	500	510	1258	215
300	850	300	610	460	1400	400	500	610	1460	250



## Kv coefficient

DN mm	40	50	65	80	100	125	150	200	250	300
Kv (m³/h)/bar	21,6	21,6	46,8	68,4	108	155	245	360	648	1008

DN mm	40	50	65	80	100	125	150	200	250	300
Kv (m³/h)/bar	18,4	18,4	39,6	59,4	90	133	209	313	576	864



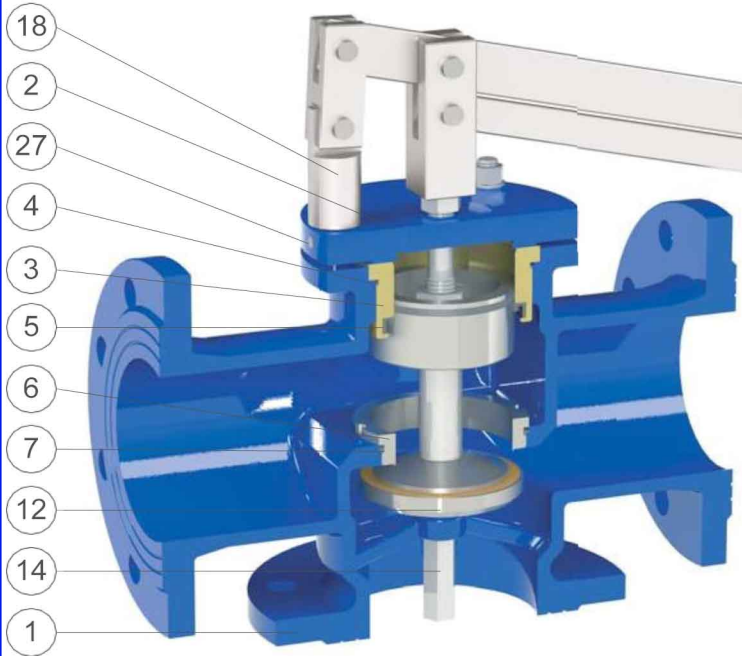
**Weyn-Lauwers** N.V.

Industriepark-Noord 12  
B - 9100 SINT-NIKLAAS

Tel. : 00 32 (0)3 776.34.13  
Fax : 00 32 (0)3 778.09.52  
weynlauwers@weynlauwers.be  
www.weynlauwers.be

## VLOTTERAFSLUITER GJS 500-7 / GGG50 PN16 - fig 965

### Technical details



Athena DN 40/50-65

N.	Component	Standard material	Optional
1	Body	ductile cast iron GJS 450-10 or GJS 500-7	
2	Cap	painted steel	
3	Guiding bushing	bronze CuSn5Zn5Pb5 (painted steel for DN 250-300)	stainless s. AISI 304/316
4	O-ring	NBR	EPDM/Viton
5	Lip gasket	NBR	EPDM/Viton
6	Seat	stainless steel AISI 304	stainless steel AISI 316
7	O-ring	NBR	EPDM/Viton
8	Guiding shaft	stainless steel AISI 303	stainless steel AISI 316
9	Blocking nut	stainless steel AISI 304	stainless steel AISI 316
10	Piston	stainless steel AISI 303	stainless steel AISI 316
11	Guiding ring	PTFE	
12	Counter-seat	stainless s. AISI 303 (painted steel for DN 250-300)	stainless s. AISI 304/316
13	Plane gasket	NBR	polyurethane
14	Obturator	stainless s. AISI 303 (AISI 304 for DN 200-250-300)	stainless steel AISI 316
15	Tightening nut	stainless steel AISI 303	stainless steel AISI 316
16	Nuts (or screws) and washers	stainless steel AISI 304	stainless steel AISI 316
17	Upper coupling	zinc-plated steel	stainless s. AISI 304/316
18	Lower coupling	zinc-plated steel	stainless s. AISI 304/316
19	Pivots	stainless steel AISI 303	
20	Blocking nut	stainless steel AISI 304	stainless steel AISI 316
21	Shaft pivot	zinc-plated steel	stainless s. AISI 304/316
22	Upper lever	zinc-plated steel	stainless s. AISI 304/316
23	Lower lever (from DN 80)	zinc-plated steel	stainless s. AISI 304/316
24	Float coupling (from DN 80)	zinc-plated steel	stainless s. AISI 304/316
25	Float rod	stainless steel AISI 304	stainless steel AISI 316
26	Float	stainless steel AISI 304	stainless steel AISI 316
27	Plug (screw from DN 150 to 300)	stainless steel AISI 304	stainless steel AISI 316
28	Elastic pin (from DN 80)	stainless steel	
29	Screw	stainless steel AISI 304	stainless steel AISI 316
30	Studs (from DN 150 to 300)	stainless steel AISI 304	stainless steel AISI 316