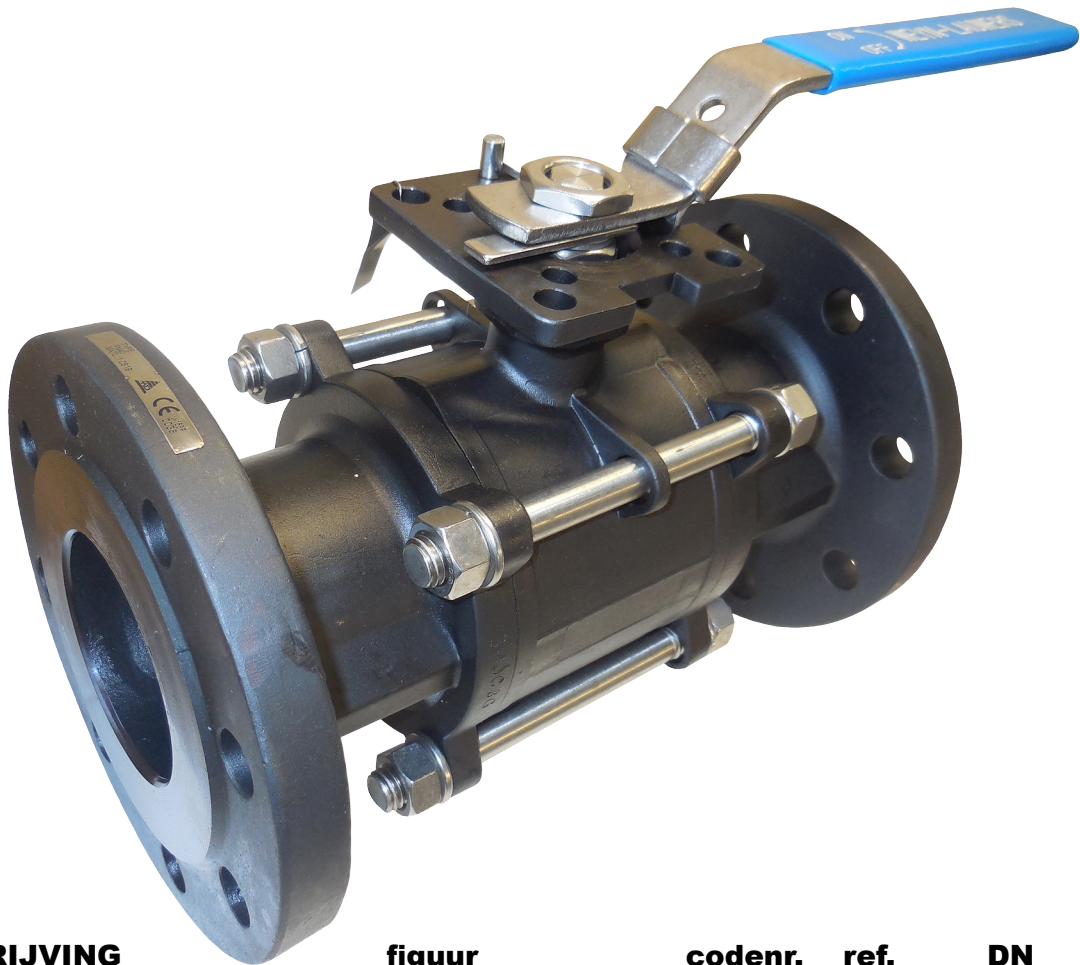


Weyn-Lauwers N.V.

Industriepark-Noord 12
B - 9100 SINT-NIKLAAS

Tel. : 00 32 (0)3 776.34.13
Fax : 00 32 (0)3 778.09.52
weynlauwers@weynlauwers.be
www.weynlauwers.be

**3-DELIGE
KOGELKRAAN
STAAL - PN40
fig 166**



OMSCHRIJVING

fig 166

3-PC BALL VALVE
FULL BORE
DIN 3202 F1
BODY A216' WCB
BALL AND STEM AISI 316 - CF8M
SEATS REFORCED PTFE
DIRECT MOUNTING
ANTISTATIC DEVICE

figuur

fig 166

PN 40

-20 +220°C

STEAM MAX. 18 bar

codenr.

207930
207931
207932
207933
207934
207935
207936
207937
207938

ref.

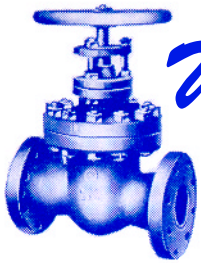
166.04
166.05
166.06
166.07
166.08
166.09
166.10
166.11
166.12

DN

DN 15
DN 20
DN 25
DN 32
DN 40
DN 50
DN 65
DN 80
DN 100

lengte

L=130
L=150
L=160
L=180
L=200
L=230
L=290
L=310
L=350



Weyn-Lauwers N.V.

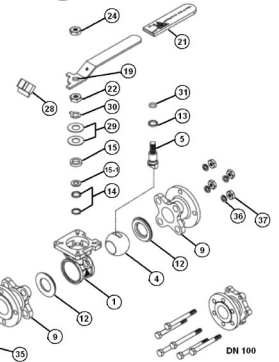
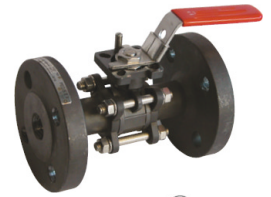
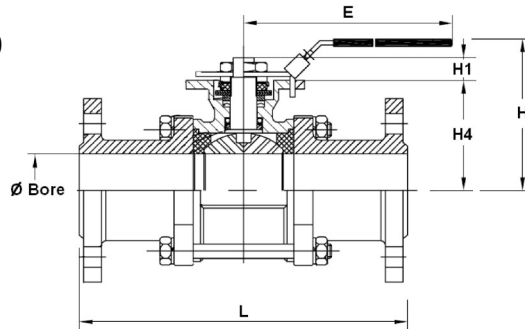
Industriepark-Noord 12
B - 9100 SINT-NIKLAAS

Tel. : 00 32 (0)3 776.34.13
Fax : 00 32 (0)3 778.09.52
weynlauwers@weynlauwers.be
www.weynlauwers.be

**3-PCS BALL VALVE
PN 40 CARBON STEEL
FULL BORE
FIG 166**

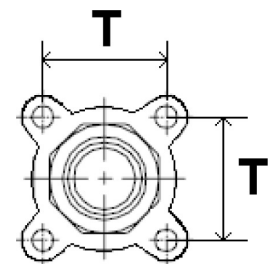
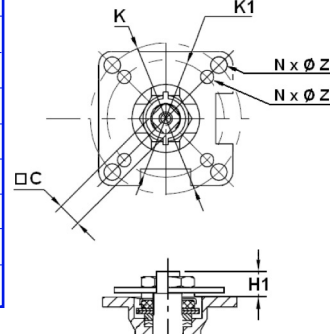
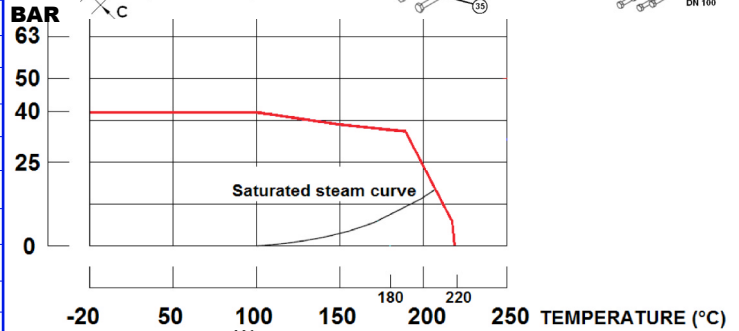
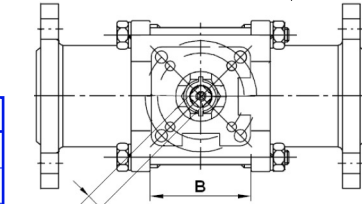
DESIGN FEATURES

- 3-pcs ball valve DN15 - DN100 PN40
- flanges RF PN40
- min. : -20°C +220°C
- specifications :
 - anti-blow out stem
 - full bore
 - mounting pad acc. ISO 5211
 - locking device
 - Atex



MATERIALS

item	Part name	Material
1	body	A216 WCB
4	ball	A351 CF8M
5	stem	SS 316
9	ends	A216 WCB
12	seat	PTFE+50%SS316
13	trust washer	PTFE+25%grafoil
14	stem packing	PTFE+25%grafoil
15-1	packing follower	PTFE+15%grafoil
15	gland bush	SS 304
19	handle	SS 304
21	handle cover	plastic
22	stem nut	SS 304
24	handle nut	SS 304
28	locking device	SS 304
29	elastic washer	SS 301
30	tab washer	SS 304
31	O-ring	viton
35	body bolt	SS 304
36	bolt washer	SS 304
37	bolt nut	SS 304



SIZE (in mm)

DN	15	20	25	32	40	50	65	80	100
bore	15	20	25	32	38	50	65	80	100
L	130	150	160	180	200	230	290	310	350
B	22,5	27,5	34	42,5	52	63,5	85,5	102	129
E	112	112	136	185	197,9	197,9	264	264	325
H	73	80,8	90,5	98,7	115,3	124	155	208,5	216,7
H1	8,5	8,5	11,4	11,4	14	13,7	18	18	23
H4	37	45	53,5	59	74,8	83,5	108,8	118,3	153,8
C	9	9	9	9	14	14	17	17	17
T	31	35	41	49	59	71	91	107	195
K	50	50	50	50	70	70	102	102	102
K1	36	36	36	36	50	50	70	70	70
N x Z	4 x 7	4 x 7	4 x 7	4 x 7	4 x 9	4 x 9	4 x 11	4 x 11	4 x 11
N x Z1	4 x 6	4 x 6	4 x 6	4 x 6	4 x 7	4 x 6	4 x 9	4 x 9	4 x 9
ISO5211	F03/05	F03/05	F03/05	F03/05	F05/07	F05/07	F07/10	F07/10	F07/10
kg	2,04	2,9	3,66	5,4	6,76	9,75	15,36	21,33	36,70
ref.	166.04	166.05	166.06	166.07	166.08	166.09	166.10	166.11	166.12

