



Weyn-Lauwers N.V.

Industriepark-Noord 12
B - 9100 SINT-NIKLAAS

Tel. : 00 32 (0)3 776.34.13
Fax : 00 32 (0)3 778.09.52
weynlauwers@weynlauwers.be
www.weynlauwers.be

BALL VALVE
BSP - FULL BORE
2-pc AISI 316 PN250
FIG 172T

DESIGN FEATURES

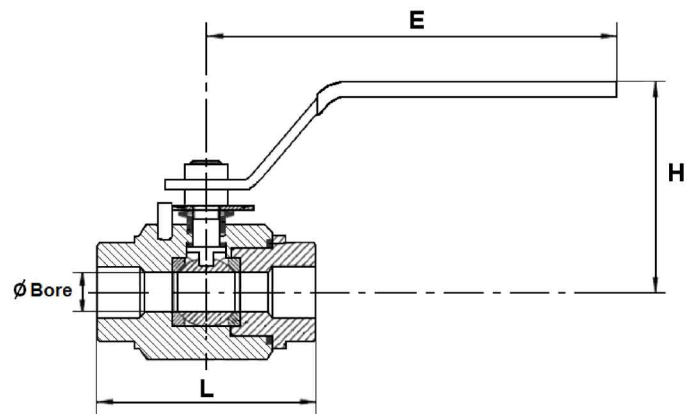
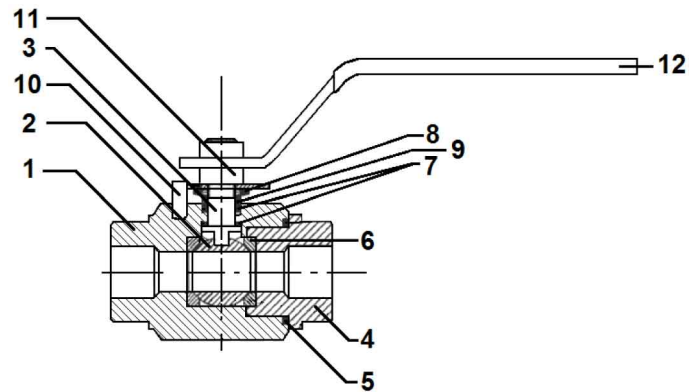
- 2-PC ball valve 1/4"-2"
- threaded BSP
- min. temp : -20°C
- max. temp : +250°C
- specifications :
 - anti-blow out stem
 - anti-static device
 - Full bore
 - class 1500 lbs
 - tested acc. API 598
 - design acc. ANSI B16.34

USE

- for chemical and petrochemical industries
- max. pressure :
 - 250 bar
 - 30 bar for steam

MATERIALS

item	Part name	Material
1	body	ASTM A182 F316
2	ball	ASTM A182 F316
3	stem	ASTM A182 F316
4	ends	ASTM A182 F316
5	body seal	carbographithe
6	seat	PEEK
7	stem gasket	FKM
8	disc springs	steel
9	packing gland	F304
10	stop	FE P11 (UNI 5867)
11	nut	steel 6S
12	handle	FE P11 (UNI 5867)



SIZE (in mm)

DN	1/4"	3/8"	1/2"	3/4"	1"	1 1/4"	1 1/2"	2"
bore	10	10	15	20	25	30	38	48
L	67	67	75	90	105	120	135	155
E	148	148	148	180	180	240	240	280
H	72	72	75	85	95	100	105	115
C	5	5	5,5	7,5	7,5	9	9	9
dia. Y	8	8	10	12	12	14	14	14
kg	0,6	0,6	0,8	1,5	2	3,3	4,5	6
ref.	172T.02	172T.03	172T.04	172T.05	172T.06	172T.07	172T.08	172T.09

stem size

