



**Weyn-Lauwers** N.V.

Industriepark-Noord 12  
B - 9100 SINT-NIKLAAS

Tel. : 00 32 (0)3 776.34.13  
Fax : 00 32 (0)3 778.09.52  
weynlauwers@weynlauwers.be  
www.weynlauwers.be

**3-WAY BALL VALVE  
L-PORT - CS  
FIG 191L DN50-DN80**

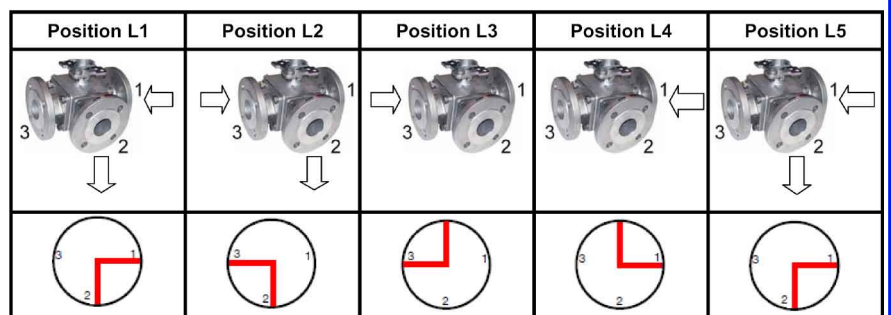
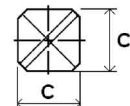
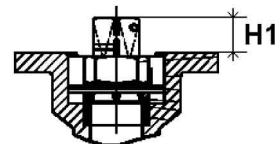
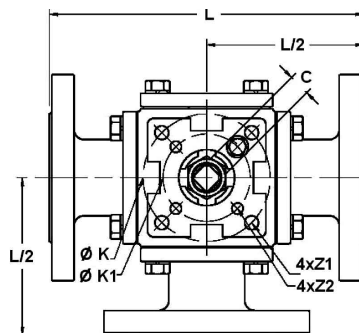
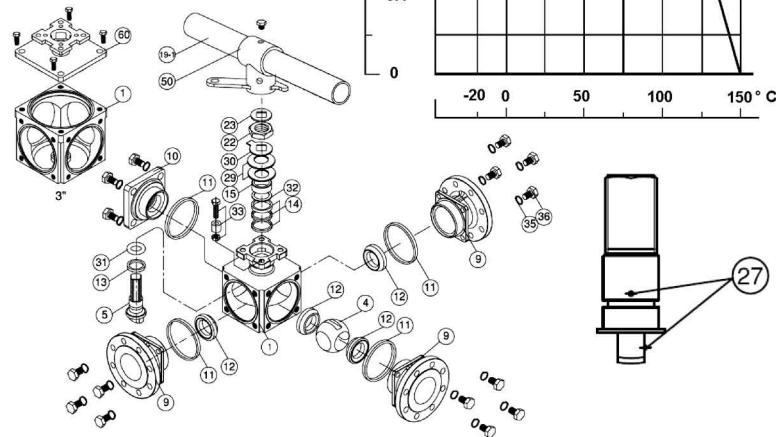
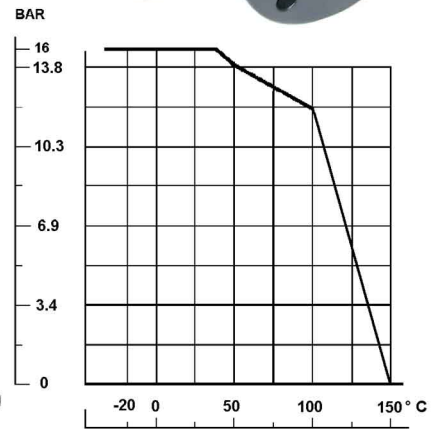
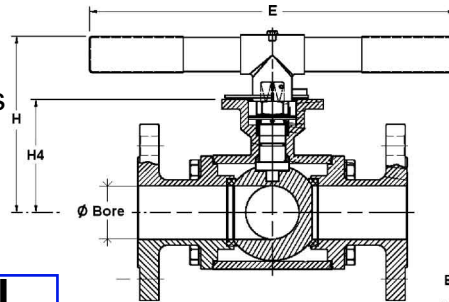
**DESIGN FEATURES**

- carbon steel 3-way ball valve dn50 - dn80 PN16
- temp : -20°C +150°C
- specifications :
  - iso-mounting pad
  - seats PTFE filled with glass
  - anti blow-out stem
  - ATEX
  - tightness on 3 ways

**MATERIALS**

item	Part name	Material
1	body	A216 WCB
4	ball	A351 CF8
5	stem	SS 304
9	ends	A216 WCB
10	blind cap	A216 WCB
11	body seal	PTFE
12	seat	PTFE+15 % G.F.
13	trust washer	PTFE
14	stem packing	PTFE
15	gland	SS 304
19-1	handle	steel
22	stem nut	SS 304
23	handle washer	SS 304
27	antistatic device	SS 316
29	elastic washer	SS 410
30	stop washer	SS 304
31	O-ring	FKM
32	packin follower	RPTFE
33	stop pin	SS 304
35	bolt washer	SS 304
36	bolt	SS 304
50	handle adapter	A351 CF8

DN	50	65	80
bore	50	65	76
L	253	270	292,2
L/2	126,5	135	146,1
E	400	400	400
H	154,8	166,2	173,8
H1	17,8	17,5	17,5
H4	105,8	117,3	128
C	17	17	17
4 x Z1	4x11	4x11	4x11
4 x Z2	4x9	4x9	4x9
ISO (k1/k)	F07/F10	F07/F10	F07/F10
kg	19	24	34,5





**Weyn-Lauwers** N.V.

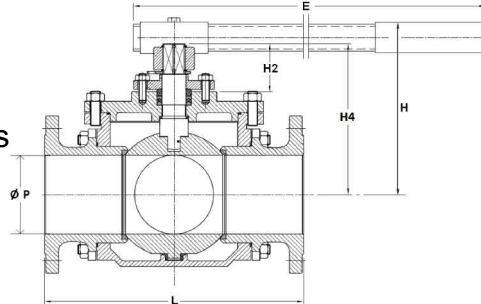
Industriepark-Noord 12  
B - 9100 SINT-NIKLAAS

Tel. : 00 32 (0)3 776.34.13  
Fax : 00 32 (0)3 778.09.52  
weynlauwers@weynlauwers.be  
www.weynlauwers.be

**3-WAY BALL VALVE  
L-PORT - CS  
FIG 191L DN100-DN150**

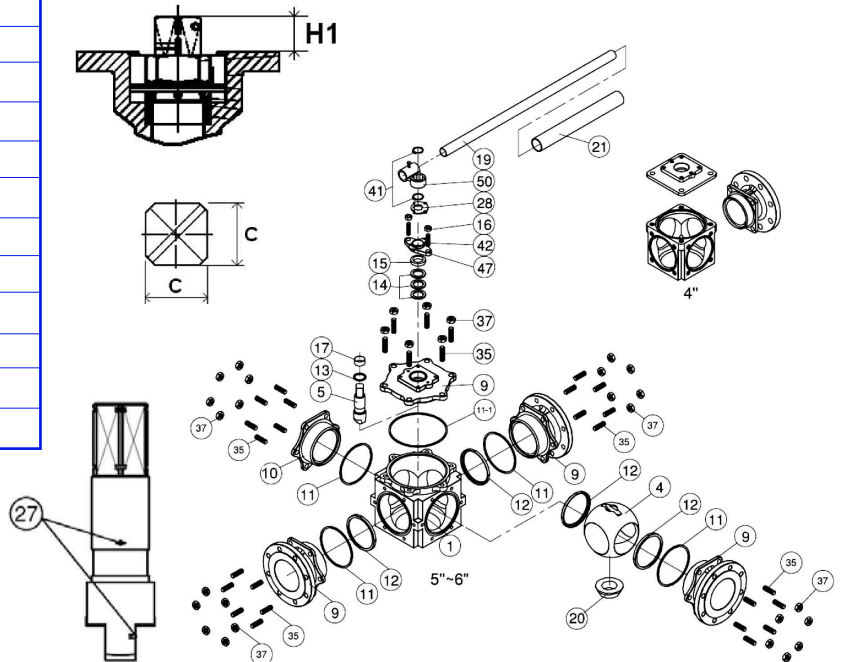
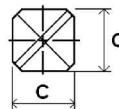
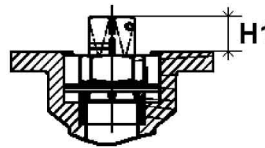
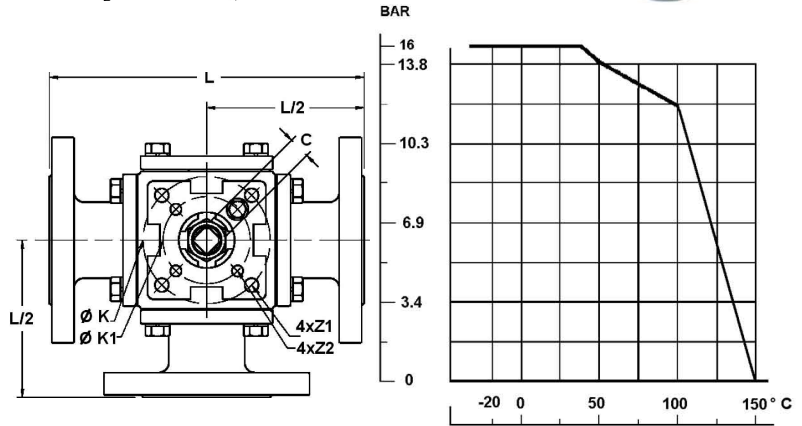
**DESIGN FEATURES**

- carbon steel 3-way ball valve dn100 - dn150 PN16
- temp : -20°C +150°C
- specifications :
  - iso-mounting pad
  - seats PTFE filled with glass
  - anti blow-out stem
  - ATEX
  - tightness on 3 ways



**MATERIALS**

item	Part name	Material
1	body	A216 WCB
4	ball	A351 CF8
5	stem	SS 304
9	ends	A216 WCB
10	blind cap	A216 WCB
11	body seal	PTFE
12	seat	PTFE+15 % G.F.
13	trust washer	PTFE
14	stem packing	PTFE
15-16	gland bush/nut	SS 304
17	stem bushing	PTFE
19	handle	steel
20	set bolt	SS 304
21	handle cover	plastic
27	antistatic device	SS 316
28	stop plate	SS 304
35	bolt	SS 304
37	bolt nut	SS 304
41	snap ring	SS 304
42	gland bolt	SS 304
47	gland flange	A351 CF8
50	handle adapter	A351 CF8



DN	100	125	150
bore	100	125	150
L	360	416	473
L/2	180	208	236,5
E	600	600	800
H	212	261	283,5
H1	33	33	43,5
H2	70	70	77,5
H4	193	233	266
C	27	27	36
4 x Z	4xM12	4xM12	4xM16
k	125	125	140
ISO (k)	F12	F12	F14
kg	67,4	95	124

