



Weyn-Lauwers N.V.

Industriepark-Noord 12
B - 9100 SINT-NIKLAAS

Tel. : 00 32 (0)3 776.34.13
Fax : 00 32 (0)3 778.09.52
weynlauwers@weynlauwers.be
www.weynlauwers.be

GATE VALVE BRONZE FIG 333

DESIGN FEATURES

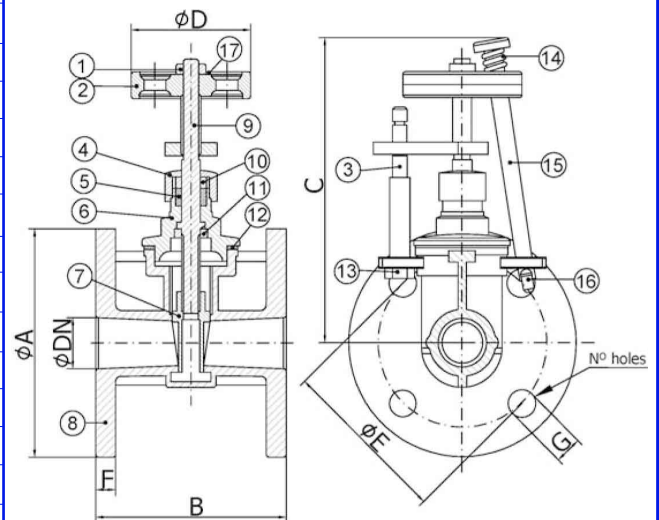
- bronze gate valve dn15 - dn80
- temp : -40°C +120°C
- specifications :
 - flanged ends acc. PN16
 - with position indicator
 - with locking device

USE

- for all common fluids
- max. pressure : up to 16 bar

MATERIALS

| item | Part name | Material |
|------|----------------|-----------------------------|
| 1 | handwheel nut | brass CW614N |
| 2 | handwheel | aluminium |
| 3 | open indicator | brass CW614N |
| 4 | gland nut | brass CW614N |
| 5 | packing | PTFE |
| 6 | bonnet | brass CW614N |
| 7 | wedge | bronze CC491K (RG5) |
| 8 | body | bronze CC491K (RG5) |
| 9 | stem | brass CW614N |
| 10 | gland | brass CW614N |
| 11 | stem nut | brass CW614N |
| 12 | gasket | fiber (sil C-4400, DIN7168) |
| 13 | indicator nut | brass CW614N |
| 14 | spring | SS304 |
| 15 | locking | brass CW614N |
| 16 | split pen | brass CW614N |
| 17 | round tag | aluminium |



SIZE (in mm)

| DN | 15 | 25 | 32 | 40 | 50 | 80 | | | |
|----------|--------|--------|--------|--------|--------|--------|--|--|--|
| A | 95 | 115 | 140 | 150 | 165 | 200 | | | |
| B | 77 | 77 | 86 | 120 | 135 | 185 | | | |
| C | 130 | 150 | 185 | 200 | 220 | 290 | | | |
| D | 50 | 70 | 80 | 80 | 90 | 130 | | | |
| E | 65 | 85 | 100 | 110 | 125 | 160 | | | |
| F | 8 | 10 | 12 | 11 | 13 | 15 | | | |
| G | 14 | 14 | 18 | 18 | 18 | 18 | | | |
| N° holes | 4 | 4 | 4 | 4 | 4 | 8 | | | |
| kg | 1,50 | 2,87 | 4,30 | 5,00 | 7,00 | 12,00 | | | |
| ref. | 333.04 | 333.06 | 333.07 | 333.08 | 333.09 | 333.11 | | | |