



**Weyn-Lauwers** N.V.

Industriepark-Noord 12  
B - 9100 SINT-NIKLAAS

Tel. : 00 32 (0)3 776.34.13  
Fax : 00 32 (0)3 778.09.52  
weynlauwers@weynlauwers.be  
www.weynlauwers.be

**3-WAY BALL VALVE  
PN16/40 - FULL BORE  
SS316  
T-PORT - FIG 192T**

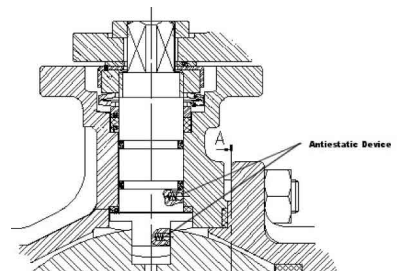
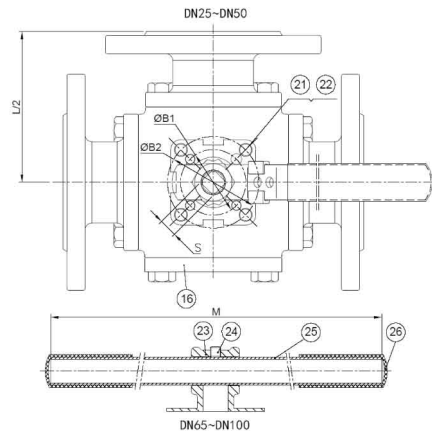
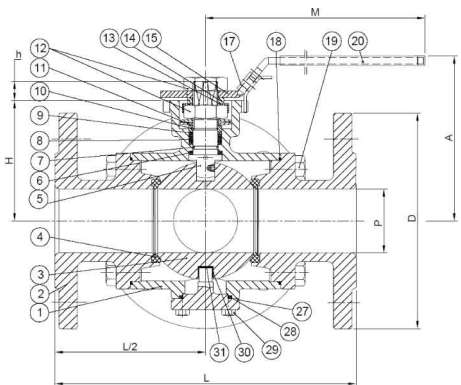
**DESIGN FEATURES**

- 3-way ball valve, T-port DN25 - DN100
- Flanges acc. EN 1092 : PN40 for DN25 to DN 50  
PN16 for DN 65 to DN100
- min. : -30°C +180°C
- design according to DIN 3357 / EN 12516-1
- specifications :
  - anti-blow out stem / ant-static device
  - locking system
  - Full bore
  - direct mounting pad acc. ISO 5211

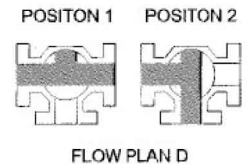
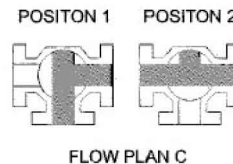
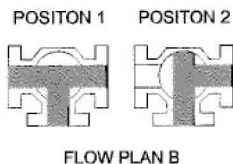
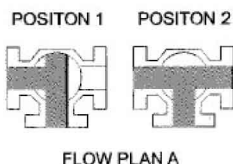


**MATERIALS**

item	Part name	Material
1	body	1.4408 (CF8M)
2	cap	1.4408 (CF8M)
3	ball	SS 316
4	seat ball	PTFE + 15 % G.F.
5	stem	SS 316
6	thrust washer	PTFE
7	O-ring	FKM (viton)
8	stem packing	PTFE
9	bushing	inox + PTFE
10	gland	SS 316
11	spring washer	SS 301
12	stem nut	SS 304
13	nut locker	SS 304
14	washer	SS 304
15 (dn25-50)	body handle	SS 304
16	end cap	1.4408
17 (dn25-50)	lock device	SS 304
18	gasket	PTFE
19	bolt	SS 304
20	handle sleeve	Vynil
21	stop bolt	SS 304
22	nut	SS 304
23 (dn65-100)	handle adapter	SS 304
24	bolt	SS 304
25	handle	ASTM A 53
26	handle sleeve	Vynil
27	bottom cap	SS 316
28	gasket	PTFE
29	bolt	SS 304
30	bush	PTFE
31	disk	PTFE



**T-Port 90° TURN**



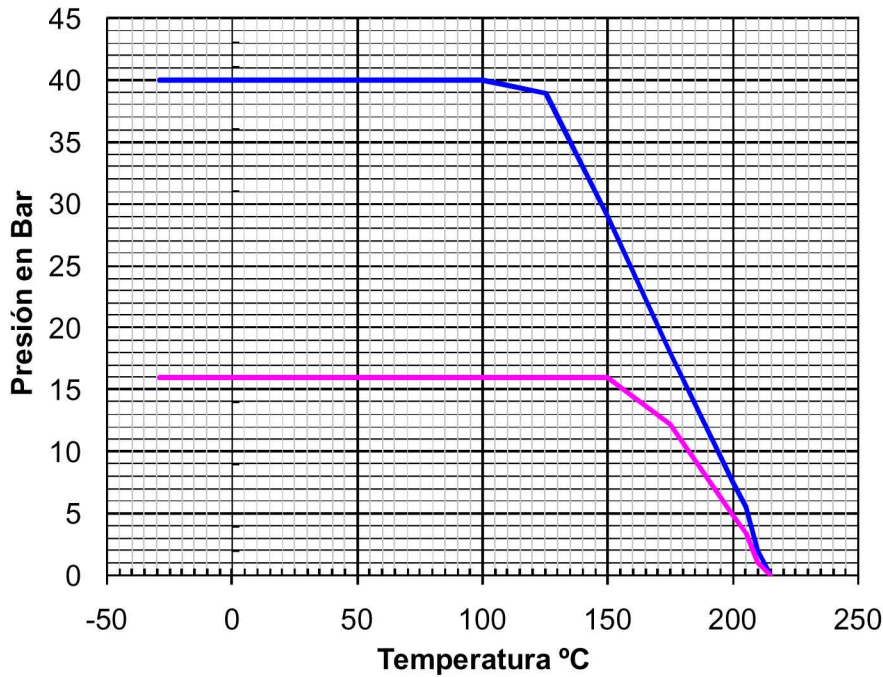


**Weyn-Lauwers** N.V.

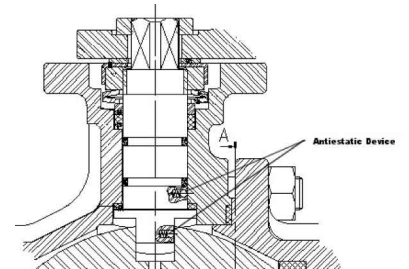
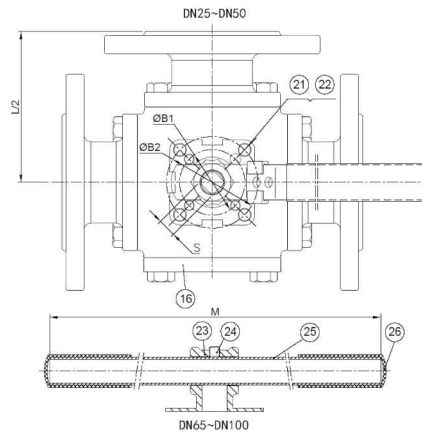
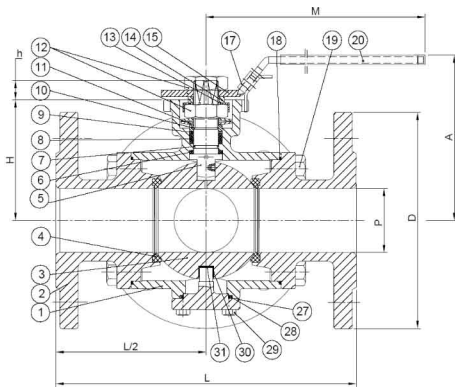
Industriepark-Noord 12  
B - 9100 SINT-NIKLAAS

Tel. : 00 32 (0)3 776.34.13  
Fax : 00 32 (0)3 778.09.52  
weynlauwers@weynlauwers.be  
www.weynlauwers.be

**3-WAY BALL VALVE**  
**PN16/40 - FULL BORE**  
**SS316**  
**T-PORT - FIG 192T**



— DN ≤ 2"  
— 50 < DN ≤ 100



**SIZE (in mm)**

DN	25	32	40	50	65	80	100
PN	40	40	40	40	16	16	16
P	25	32	38	49	63	75	99
L	180	190	212	230	290	310	350
dia. D	115	140	150	165	185	200	200
H	68	72	85	92	107	119	150
A	99	103	119	126	172	187	214
M	175	175	200	200	400	400	400
S	11	11	14	14	17	17	22
h	11	11	14	14	17	18	22
ISO5211	F04/F05	F04/F07	F05/F07	F05/F07	F07/F10	F07/F10	F10
kg	8,6	11,8	14,7	19,7	33,3	47,1	73,7
Kv m <sup>3</sup> /h	39	50	96	192	264	351	653
ref.	204832	204833	204834	204835	204836	204837	204838