

**Weyn-Lauwers** N.V.

Industriepark-Noord 12  
B - 9100 SINT-NIKLAAS

Tel. : 00 32 (0)3 776.34.13  
Fax : 00 32 (0)3 778.09.52  
weynlauwers@weynlauwers.be  
www.weynlauwers.be

**GATE VALVE  
CAST IRON - PN16  
FIG 350.16**

**DESIGN FEATURES**

- cast iron gate valve dn40 - dn600 PN16
- temp : -0°C +150°C
- specifications :
  - inside screw
  - round body gate valve acc. to DIN 3352, serie 15
  - with handwheel
  - flanges drilled UNI EN 1092-2 PN16
  - face to face acc. to F5

**USE**

- water supply - heating systems - industry



**MATERIALS**

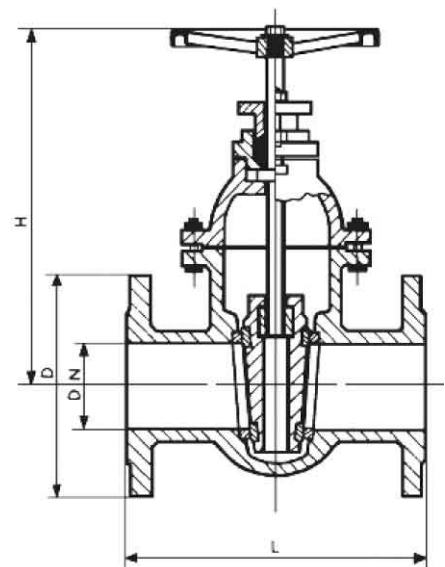
item	Part name	Material
	body	GG25 EN-GJL-250
	bonnet	GG25 EN-GJL-250
	handwheel	GG25 EN-GJL-250
	stem	brass/SS X20 Cr13
	sealing seat body&wedge	brass
	stem packing	graphited/O-ring
	bonnet gasket	asbest free
	painting	nitro enamel

**TEST PRESSURE**

body	2,4 Mpa
seat	1,7 Mpa

**Max. working pressure**

at 120°C	1,4 Mpa
at 150°C	0,8 Mpa



**SIZE (in mm)**

DN	40	50	65	80	100	125	150	200	250	300	350	400	500	600
L	240	250	270	280	300	325	350	400	450	500	550	600	700	800
H	255	263	287	310	358	400	430	598	675	755	890	1000	1200	1360
D	150	165	185	200	220	250	285	340	395	445	505	565	670	780
kg	13	20	20	31	34	60	77	95	139	252	305	400	700	950
ref.	350.16.08	350.16.09	350.16.10	350.16.11	350.16.12	350.16.13	350.16.14	350.16.16	350.16.18	350.16.20	350.16.22	350.16.24	350.16.28	350.16.30