



Weyn-Lauwers N.V.

Industriepark-Noord 12
B - 9100 SINT-NIKLAAS

Tel. : 00 32 (0)3 776.34.13
Fax : 00 32 (0)3 778.09.52
weynlauwers@weynlauwers.be
www.weynlauwers.be

BALL VALVE
BSP - Full bore
2-pc AISI 316
FIG 171LYVA

ELECTRIC STAINLESS STEEL BALL VALVE TYPE LYVA 3

FEATURES

The electric stainless steel ball valve LYVA 3 is dedicated to the automatic shutt-off of small sizes fluids lines. The LYVA full bore valve, is perfect for applications such as water treatment, HVAC, industry, OEM, etc. where a traditional solenoid valve is not suitable. The operation of the actuator with 2 wires automatic position return through capacitor (RC) makes its installation and use very easy. Low power consumption. The LYVA 3 has got the CSF certificate for food contact.

AVAILABLE MODELS

LYVA 3 and **LYVA 3** with manual control : Stainless steel body.

Sizes and connexions : G 1/4" to G 2".

Sizes and connexions : G 1/2" to G 1".

Voltages : 24 Vac-cc, 230 Vac.

Wiring scheme : CR202, 2 wires, automatic position return through capacitor.

Power cable : 1500 mm

LIMITS OF USE

Use forbidden on groupe I gases according to CE 2014/68 directive

Use forbidden in explosive area.

Electric protection :	IP 67
PS fluid :	0 - 10 bar up to 1" 0 - 6 bar from 1"1/4 to 1/2"
ΔP max :	10 bar up to 1" 6 bar from 1"1/4 to 1/2"
TS fluid :	0°C / +90°C
TS ambient :	-10°C / +55°C



Version with manual control



DIRECTIVES AND STANDARDS OF CONSTRUCTION

SUBJECT	Standard	SUBJECT	Standard
Pressure equipment CE 2014/68	A4 § 3	Material grade	EN 1503-1
Low voltage directive CE 2014/35	category I	Threaded connection	ISO 228
Food contact	NSF certificate	ACS potable water certificate	



Weyn-Lauwers N.V.

Industriepark-Noord 12
B - 9100 SINT-NIKLAAS

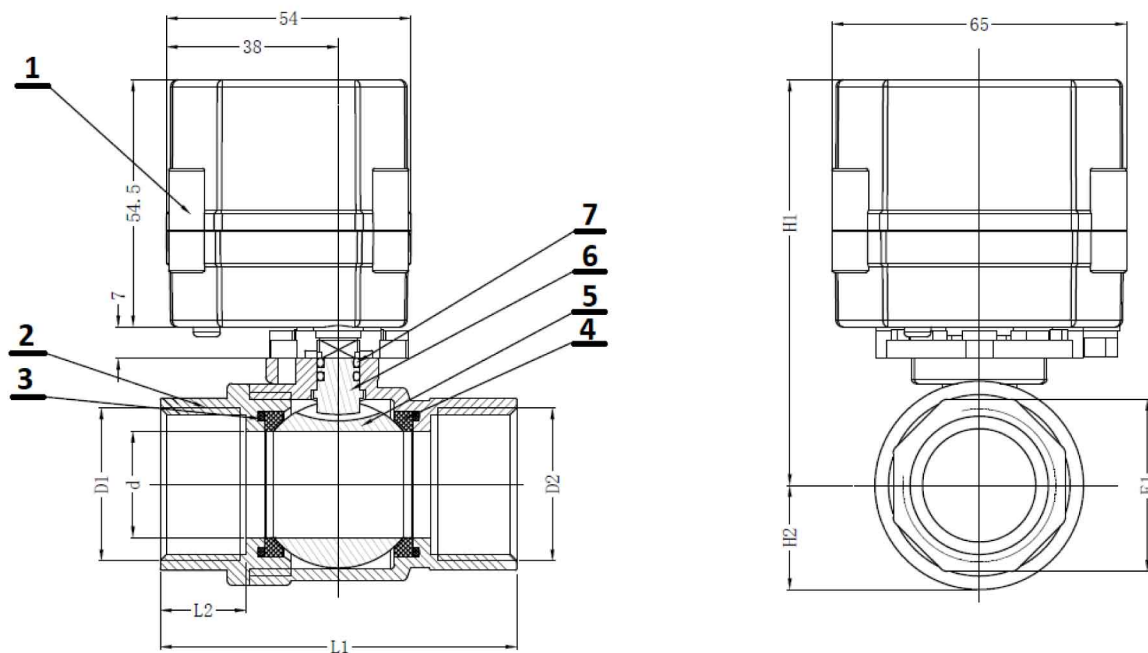
Tel. : 00 32 (0)3 776.34.13
Fax : 00 32 (0)3 778.09.52
weynlauwers@weynlauwers.be
www.weynlauwers.be

BALL VALVE
BSP - Full bore
2-pc AISI 316
FIG 171LYVA

ELECTRIC STAINLESS STEEL BALL VALVE TYPE LYVA 3

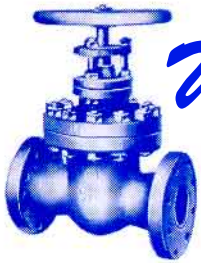
CONSTRUCTION

N°	Item	Material
1	Actuator	Plastic PPO
2	Body	Stainless steel 1.4408
3	O-ring	EPDM
4	Seat	PTFE
5	Ball	Stainless steel 1.4408
6	Stem	Stainless steel 1.4408
7	O-ring	EPDM



DIMENSIONS (mm) and WEIGHT (kg)

Size	d	L1	L2	E1	H1	H2	Weight (Kg)
G 1/4"	10	51	12	21	82,5	14	0,37
G 3/8"	10	51	12	21	82,5	14	0,37
G 1/2"	15	62	16	25	86	17	0,37
G 3/4"	20	72	17	31	88	20	0,47
G 1"	25	80	20	38	91	24,5	0,62
G 1"1/4	31	102	25	47	126	31	0,81
G 1"1/2	36	114	26	54	131	37	0,95
G 2"	47	130	27	66	144	45	1,15



Weyn-Lauwers N.V.

Industriepark-Noord 12
B - 9100 SINT-NIKLAAS

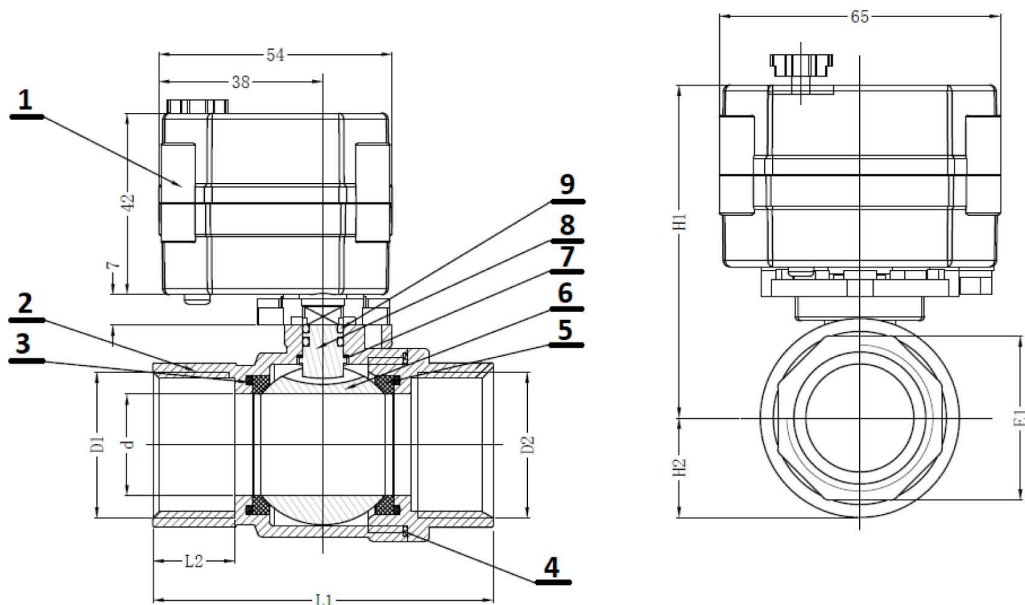
Tel. : 00 32 (0)3 776.34.13
Fax : 00 32 (0)3 778.09.52
weynlauwers@weynlauwers.be
www.weynlauwers.be

BALL VALVE
BSP - Full bore
2-pc AISI 316
FIG 171LYVA

ELECTRIC STAINLESS STEEL BALL VALVE TYPE LYVA 3

CONSTRUCTION (LYVA 3 with manual control)

N°	Item	Material
1	Actuator	Plastic PPO
2	Body	Stainless steel 1.4408
3	O-ring	EPDM
4	Gasket	PTFE
5	Seat	PTFE
6	Ball	Stainless steel 1.4408
7	Gasket	PTFE
8	Stem	Stainless steel 1.4408
9	O-ring	EPDM

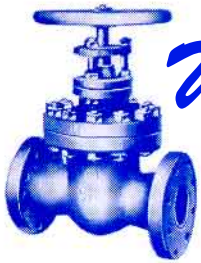


DIMENSIONS (mm) and WEIGHT (kg)

Size	d	L1	L2	E1	H1	H2	Weight (Kg)
G 1/2"	15	62	15	25	72	17	0,37
G 3/4"	20	72	18	31	75,5	20	0,47
G 1"	25	79	19	38	78,5	24,5	0,62

ELECTRIC FEATURES

Current	Voltages (V)					Frequency		Amperage	Power	Operating time	
Alternatif			24		110	230	50 Hz	60 Hz	< 500 mA	8 w	6 s
Continu	5	9	24	36							



Weyn-Lauwers N.V.

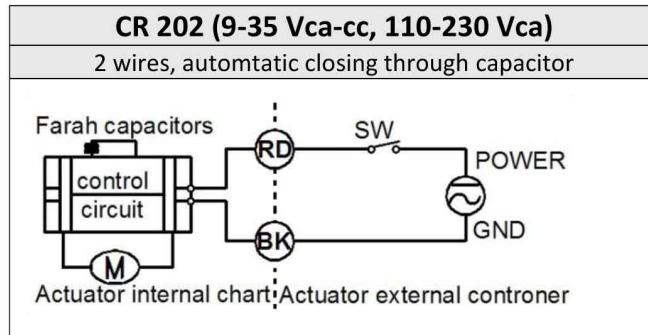
Industriepark-Noord 12
B - 9100 SINT-NIKLAAS

Tel. : 00 32 (0)3 776.34.13
Fax : 00 32 (0)3 778.09.52
weynlauwers@weynlauwers.be
www.weynlauwers.be

BALL VALVE
BSP - Full bore
2-pc AISI 316
FIG 171LYVA

ELECTRIC STAINLESS STEEL BALL VALVE TYPE LYVA 3

WIRING DIAGRAM



INSTALLATION

All positions mounting excepted horizontal with pointing down actuator.
For a use on liquids, the installation of a upstream protection strainer is recommended.

OPTIONS

Other votages 5 Vcc, 9 Vcc, 36 Vcc, 110 Vca
Other wiring schemes (see below)
Manual override
Cover without position indicator
Normally open version (NO)

