

**Weyn-Lauwers** N.V.

Industriepark-Noord 12  
B - 9100 SINT-NIKLAAS

Tel. : 00 32 (0)3 776.34.13  
Fax : 00 32 (0)3 778.09.52  
weynlauwers@weynlauwers.be  
www.weynlauwers.be

# Y-STRAINER A216 WCB

## ANSI 150 Lbs - FIG 808

### DESIGN FEATURES

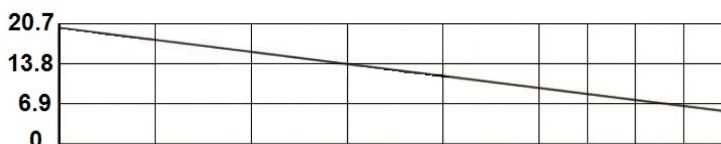
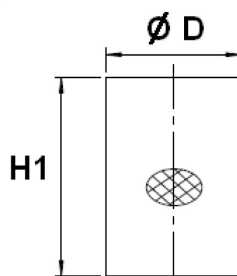
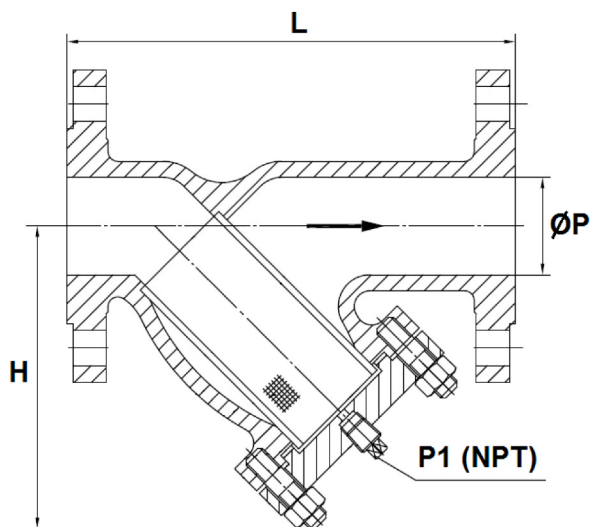
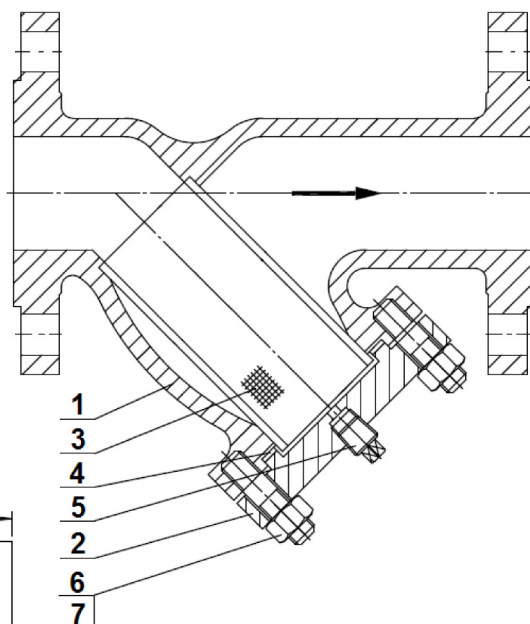
- carbon steel Y-strainer 2" - 12" ANSI 150
- temp : -29°C +425°C
- specifications :
  - removable stainless steel strainer
  - bolted bonnet with draining plug

### USE

- for common fluids
- max. pressure : 20 bar, flanged ANSI 150

### MATERIALS

item	Part name	Material
1	body	ASTM A216 WCB
2	bonnet	ASTM A216 WCB
3	filter	SS 304
4	bonnet gasket	graphite + SS 304
5	draining cap	steel
6	stud bolt	ASTM A193 Gr.B7
7	nut	ASTM A194 Gr.2H



### SIZE (in mm)

	2"	2 1/2"	3"	4"	6"	8"	10"	12"
L	203	216	241	292	406	495	622	699
H	76	85	89	115	140	172	203	242
P1	1/2"	1/2"	1/2"	1/2"	3/4"	3/4"	3/4"	1"
D	49	55	75	90	137	180	233	255
H1	110	125	145	180	255	300	355	380
mesh	1	1,5	1,5	1,5	1,5	1,5	1,5	1,5
kg	9,7	23,5	28	37	67	91	135	168
ref.	808.09	808.10	808.11	808.12	808.14	808.16	808.18	808.20