



Weyn-Lauwers N.V.

Industriepark-Noord 12
B - 9100 SINT-NIKLAAS

Tel. : 00 32 (0)3 776.34.13
Fax : 00 32 (0)3 778.09.52
weynlauwers@weynlauwers.be
www.weynlauwers.be

BALL VALVE
BSP - FULL BORE
2-pc AISI 316
FIG 171

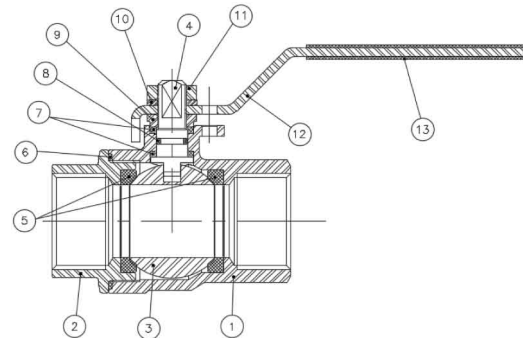
DESIGN FEATURES

- 2-PC ball valve 1/4"-3" PN63
- threaded BSP
- min. temp : -25°C
- max. temp : +180°C
- specifications : anti-blow out stem
 Locking device
 Full bore



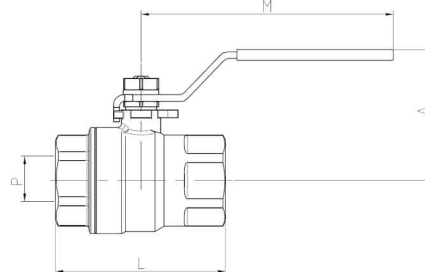
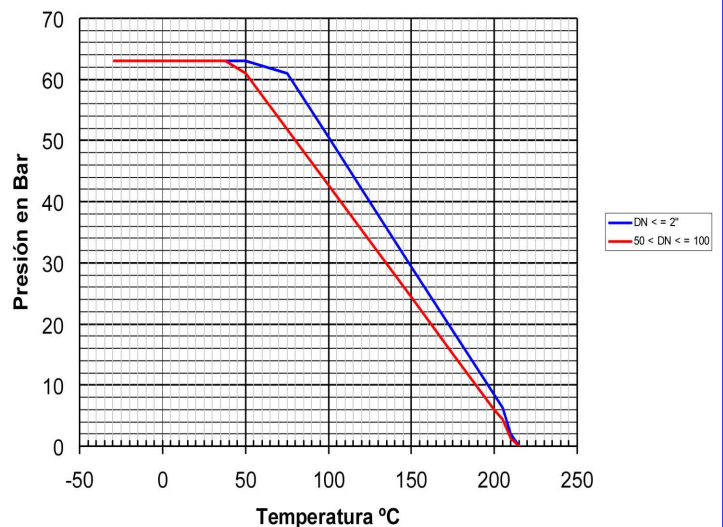
USE

- for all common fluids
- max. pressure : 63 bar



MATERIALS

| item | Part name | Material |
|------|---------------|----------------|
| 1 | body | CF8M 1.4408 |
| 2 | cap | CF8M 1.4408 |
| 3 | ball | CF8M 1.4408 |
| 4 | stem | AISI 316 |
| 5 | ball seat | PTFE + 15 % GF |
| 6 | gasket | PTFE |
| 7 | thrust washer | PTFE |
| 8 | O-ring | FKM |
| 9 | stem packing | AISI 304 |
| 10 | washer | AISI 304 |
| 11 | nut | AISI 304 |
| 12 | handle | AISI 304 |
| 13 | handle sleeve | vynil |



SIZE (in mm)

| DN | 1/4" | 3/8" | 1/2" | 3/4" | 1" | 1 1/4" | 1 1/2" | 2" | 2 1/2" | 3" |
|----------------------|--------|--------|--------|--------|--------|--------|--------|--------|--------|--------|
| P | 11 | 12,7 | 15 | 20 | 25 | 32 | 40 | 50 | 62 | 76 |
| A | 50 | 50 | 51,5 | 62 | 65 | 82 | 88 | 106 | 119 | 135 |
| L | 50 | 50 | 55 | 70 | 83 | 91 | 103 | 120 | 152 | 172 |
| M | 104 | 104 | 104 | 122 | 122 | 180 | 180 | 219 | 230 | 275 |
| Kv m ³ /h | 6 | 10 | 24 | 43 | 83 | 130 | 205 | 340 | 520 | 1100 |
| kg | 0,207 | 0,195 | 0,237 | 0,442 | 0,606 | 1,084 | 1,544 | 2,648 | 4,707 | 7,288 |
| ref. | 204240 | 205241 | 204242 | 204243 | 204244 | 204245 | 204246 | 204247 | 204248 | 204249 |