

Weyn-Lauwers N.V.

Industriepark-Noord 12
B - 9100 SINT-NIKLAAS

Tel. : 00 32 (0)3 776.34.13
Fax : 00 32 (0)3 778.09.52
weynlauwers@weynlauwers.be
www.weynlauwers.be

GATE VALVE
ANSI 150 - PN20
carbon steel
FIG 375

DESIGN FEATURES

- carbon steel gate valve 2" - 12"
- **flanges RF ANSI150 - PN20**
- min. temp : -29°C
- max. temp : +425°C
- specifications :
 - rising stem
 - bolted bonnet
 - gland pack
 - full bore
 - flexable 1-piece wedge

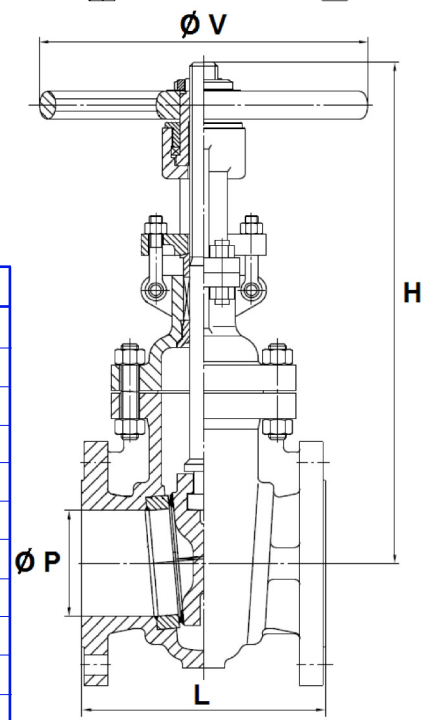
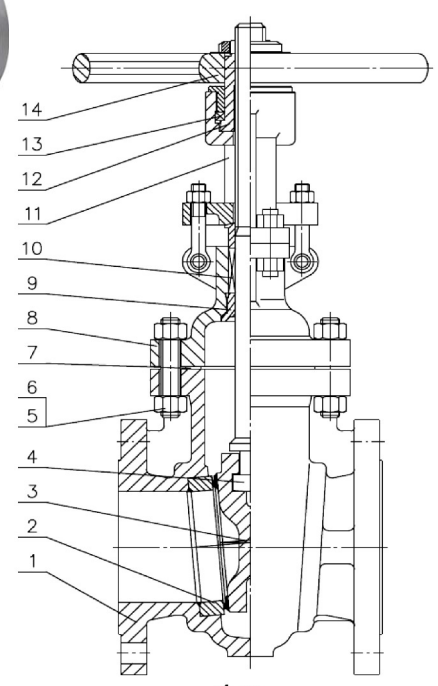


USE

- for all common fluids max. press. 20 bar

MATERIALS

item	Part name	Material
1	body	ASTM A216'WCB
2	seat	ASTM A105 stell.Gr.6
3	wedge	ASTM A216'WCB+13Cr
4	stem	ASTM A182 F6a
5	stud bolt	ASTM A193 Gr B7
6	nut	ASTM A194 Gr 2H
7	bonnet gasket	SS304+graphite
8	bonnet	ASTM A216'WCB
9	back seat bushing	ASTM A276-420
10	packing	flexible graphite
11	yoke	ASTM A216'WCB
12	stem nut	aluminium+bronze
13	ring	E51100
14	handwheel	cast iron



SIZE (in mm)

DN	2"	3"	4"	6"	8"	10"	12"
P	51	76	105	152	203	254	305
L	178	203	229	267	292	330	356
H open	410	500	581	745	971	1160	1376
H close	355	421	479	593	768	905	1071
V	200	240	300	350	400	400	500
Kv m3h	60	94	163	366	651	1017	1456
kg	18	32	50	77	121	178	265
ref.	375.09	375.11	375.12	375.14	375.16	375.18	375.20