

**Weyn-Lauwers** N.V.

Industriepark-Noord 12  
B - 9100 SINT-NIKLAAS

Tel. : 00 32 (0)3 776.34.13  
Fax : 00 32 (0)3 778.09.52  
weynlauwers@weynlauwers.be  
www.weynlauwers.be

**GATE VALVE**  
**ANSI 300 - PN50**  
**carbon steel**  
**FIG 376**

**DESIGN FEATURES**

- carbon steel gate valve 2" - 12"
- **flanges RF ANSI300 - PN50**
- min. temp : -29°C
- max. temp : +425°C
- specifications :
  - rising stem
  - bolted bonnet
  - gland pack
  - full bore
  - flexable 1-piece wedge

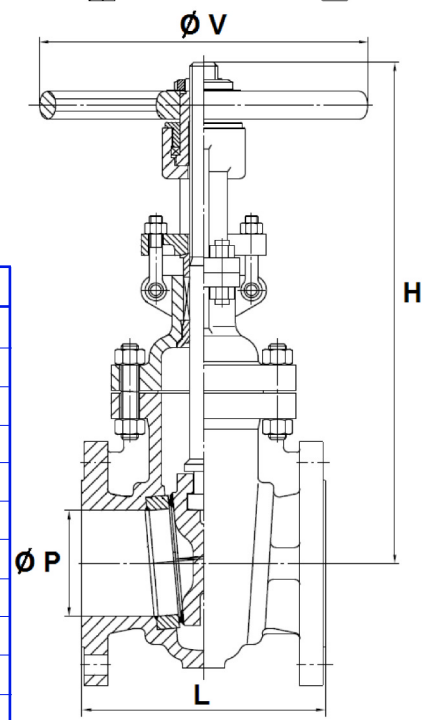
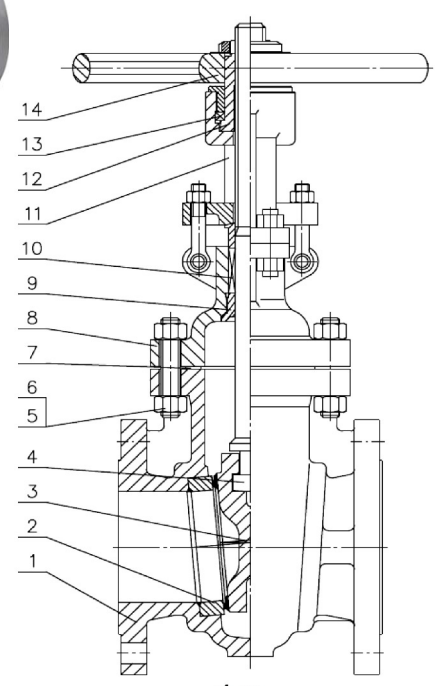


**USE**

- for all common fluids max. press. 50 bar

**MATERIALS**

item	Part name	Material
1	body	ASTM A216'WCB
2	seat	ASTM A105 stell.Gr.6
3	wedge	ASTM A216'WCB+13Cr
4	stem	ASTM A182 F6a
5	stud bolt	ASTM A193 Gr B7
6	nut	ASTM A194 Gr 2H
7	bonnet gasket	SS304+graphite
8	bonnet	ASTM A216'WCB
9	back seat bushing	ASTM A276-420
10	packing	flexible graphite
11	yoke	ASTM A216'WCB
12	stem nut	aluminium+bronze
13	ring	E51100
14	handwheel	cast iron



**SIZE (in mm)**

DN	2"	3"	4"	6"	8"	10"	12"
P	51	76	105	152	203	254	305
L	216	283	305	403	419	457	502
H open	304	521	606	795	987	1228	1418
H close	254	445	504	643	784	974	1113
V	240	280	300	400	400	500	500
Kv m3h	60	94	163	366	651	1017	1456
kg	23	50	71	144	209	322	482
ref.	376.09	376.11	376.12	376.14	376.16	376.18	376.20