

Weyn-Lauwers N.V.

Industriepark-Noord 12
B - 9100 SINT-NIKLAAS

Tel. : 00 32 (0)3 776.34.13
Fax : 00 32 (0)3 778.09.52
weynlauwers@weynlauwers.be
www.weynlauwers.be

SAFETY VALVES model 800 technical data sheet

Description

Type	Safety and Relief valve
Connections	Threaded BSP / NPT
Rating	PN-25
Material	Bronze RG 5 EN 1982 CC491K
Temperature range	-10 to +260°C

Requirements

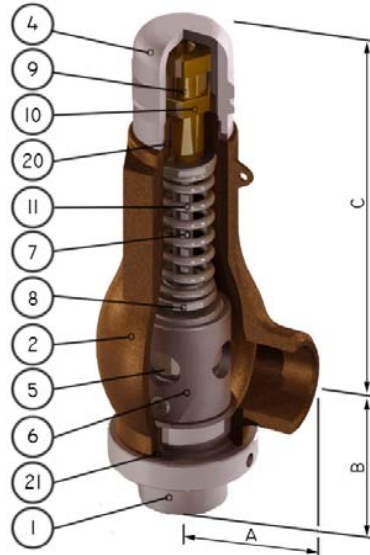
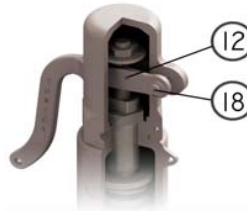
Calculation	EN-4126-1 / 7
Design	EN-12516-1, EN-4126-1 / 7 DIN 259 & ANSI B2.1
Materials	EN 1503-1-2-3-4
Inspection	EN-4126-1 / 7

Construction and materials

Item	Description	Material
1	Nozzle	SA 351 CF 3M
2	Body	Bronze RG 5
4	Cap	SA 351 CF 8
5 ○	Disc	S.S.AISI-316L
6	Guide	SA 351 CF 3M
7	Push Road	Brass
8	Spring Button	Carbon steel
9	Ajusting Screw	Brass
10	Lock nut	Brass
11 ○	Spring	Carbon steel
12	Lever	SA 351 CF 8
18	Lever axis	S.S. AISI-303
20 ○	Gasket	PTFE
21 ○	Gasket	PTFE
28 ○	Soft seat	Viton / PTFE

○ Recommended spare parts

Palanca manual
Lifting device



Obturador o-ring
Disc o-ring



Technical information

Applications	Steam, gases, vapours and liquids
Min. Set pressure	0,2 barg
Overpressure	10%
Blowdown	Gases 10%, liquids 20%
Tolerance Set pressure	± 3%
Discharge coefficients	k= 0,55 for gases k= 0,48 for liquids

Dimensions

Inlet	Outlet	Orifice	Area (mm ²)	A (mm)	B (mm)	C (mm)	Weight (kg)
1/2"	3/4"	11,5	104	38	50	148	1,3
1/2"	1"	13	133	45	57	156	1,7
3/4"	1"	14	154	45	57	156	1,8
1"	1"	16	201	45	60	156	1,8

