



Weyn-Lauwers N.V.

Industriepark-Noord 12
B - 9100 SINT-NIKLAAS

Tel. : 00 32 (0)3 776.34.13
Fax : 00 32 (0)3 778.09.52
weynlauwers@weynlauwers.be
www.weynlauwers.be

SAFETY VALVES model 1216 B technical data sheet

Description

Type	Safety and Relief valve
Connections	PN 16, PN 40, 150#, 300# Threaded BSP / NPT
Rating	PN-40
Material	Stainless steel 316 L SS
Temperature range	-28 to +350°C

Requirements

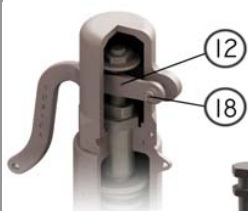
Calculation	EN-4126-1 / 7
Design	EN-12516-1, EN-4126-1 / 7 DIN 259, ANSI B2.1 and ANSI B16.5
Materials	EN
Inspection	EN-4126-1 / 7

Construction and materials

Item	Description	Material
1	Nozzle	316 L
2	Body	SA 351 CF-3M
4	Cap	SA 351 CF-8
5	Disc	316 L SS
6	Guide	SA 351 CF-3M
7	Push Road	316 L SS
8	Spring Button	303 SS
9	Ajusting Screw	303 SS
10	Lock nut	303 SS
11	Spring	302 SS
12	Lever	SA 351 CF-8
17	Release nut	316 L SS
18	Lever axis	303 SS
19	Packing lever axis	303 SS
20	Gasket	PTFE
21	Gasket	PTFE
22	Gasket	Viton
28	Soft seat	Viton / PTFE

○ Recommended spare parts

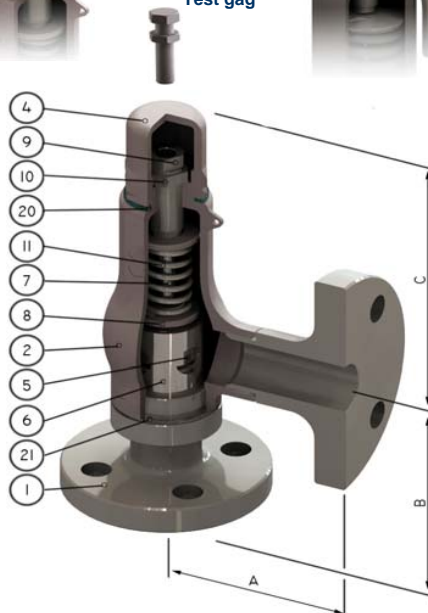
Palanca manual
Lifting device



Palanca estanca
Sealed packing lever



T. Prueba
Test gag



Obturator o-ring
Disc o-ring



Technical information

Applications	Steam, gases, vapours and liquids
Min. Set pressure	0,2 barg
Overpressure	10%
Blowdown	Gases 10%, liquids 20%
Tolerance Set pressure	± 3%
Discharge coefficients	k= 0,55 for gases k= 0,48 for liquids

Dimensions

	Inlet	Outlet		Orif.	Area	Outlet	Outlet	B	C	Weight
		150# RF	300# RF			BSP	BSP			
ANSI	1/2"	1"	3/4"	(mm)	(mm ²)	(mm)	(mm)	(mm)	(mm)	(kg)
	1/2"	1"	1"	13	133	45	70	90	155	3
	3/4"	1"	1"	13	133	45	70	90	155	3
	3/4"	1"	1"	14	154	45	70	90	155	3,2
EN	1"	1"	1"	14	154	45	70	90	155	3,2
	1"	1"	1"	16	201	45	70	90	155	3,5
	PN-16	PN16	BSP							
	PN-40	PN40	NPT							
	15	25	3/4"	13	133	45	70	90	155	3
15	25	1"	13	133	45	70	90	155	3	
20	25	1"	14	154	45	70	90	155	3,2	
20	25	1"	14	154	45	70	90	155	3,2	
25	25	1"	16	201	45	70	90	155	3,5	

