



Weyn-Lauwers N.V.

Industriepark-Noord 12
B - 9100 SINT-NIKLAAS

Tel. : 00 32 (0)3 776.34.13
Fax : 00 32 (0)3 778.09.52
weynlauwers@weynlauwers.be
www.weynlauwers.be

SAFETY VALVES model 1415 B Big size technical data sheet

Description

Type	Safety and Relief valve
Connections	Flanged ASME/ANSI B16.5
Rating	150#/300# RF
Material	Carbon steel A 216 WCB Stainless steel A 351 CF3M Special constructions
Temperature range	-28°C to +400°C
Stainless steel	-96°C to +400°C

Requirements

Calculation	API RP 520
Design / Size	API STD 526, ASME Section VIII
Materials	EN / ASTM / ASME
Inspection	EN-4126-1 / 7 API STD 527 MSS-SP-55
Tolerances	EN-4126-1 and ASME UG-126

Construction and materials

Item	Description	Material	
		Carbon Steel	Stainless steel
1	Nozzle	AISI-304	AISI-316L
2	Body	A216 WCB	A351 CF-3M
3	Bonnet	A216 WCB	A351 CF-3M
4	Cap	A351 CF 8	A351 CF 8
5	Disc	AISI-316L	AISI-316L
6	Guide	AISI-316L	AISI-316L
7	Push Road	AISI-316L	AISI-316L
8	Spring Button	C. Steel zn.	AISI-304
9	Ajusting Screw	AISI-420	AISI-303
10	Tensor Nut	C. Steel zn.	AISI-303
11	Spring	Carbon Steel	AISI-302
12	Lever	A351 CF 8	A351 CF 8
17	Release nut	AISI-316L	AISI-316L
18	Lever axis	AISI-303	AISI-303
19	Packing lever axis	AISI-303	AISI-303
20	Gasket	NBR+MF	NBR
21	Gasket	NBR+MF	NBR
22	Gasket	Viton	Viton
27	Bellow	AISI-316 TI	AISI-316 TI
28	Soft seat	Viton / PTFE	Viton / PTFE
24	Screw-nut	Carbon Steel	AISI-316

○ Recommended spare parts

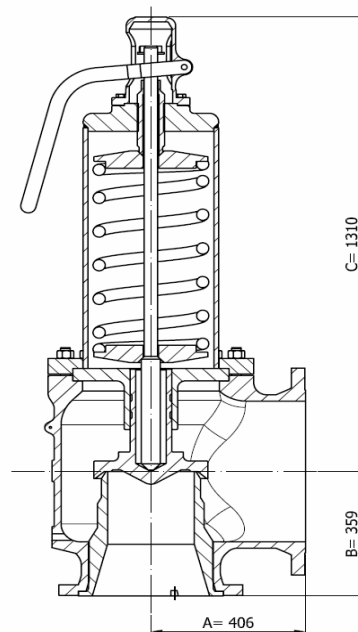
Palanca manual
Lifting device



Palanca estanca
Sealed packing lever



T. Prueba
Test gag



Cpo. intermedio abierto
Open bonnet



Fuelle
Bellows



Obturador o-ring
Disc soft seat



Technical information

Applications	Steam, gases, vapours and liquids
Min. Set pressure	0,2 barg
Seat	metal-metal, PTFE, Nozzle SS+Stellite
Overpressure	10% for steam, gas and vapour 20% for fire exposure 25% for liquid on thermal relief
Blowdown	7%
Tolerance Set pressure	± 3%
Discharge coefficients	k= 0,975 for gases k= 0,64 for liquids

Dimensions

Inlet	Outlet	Orifice	Area (mm ²)	A (mm)	B (mm)	C (mm)	Weight (kg)
8"	10"	U	21383	279	276	795	200
10"	14"	V	31415	406	305	1390	750
12"	16"	W	40808	406	359	1432	850
16"	20"	X	72950	533	432	1943	1850

