

Weyn-Lauwers N.V.

Industriepark-Noord 12
B - 9100 SINT-NIKLAAS

Tel. : 00 32 (0)3 776.34.13
Fax : 00 32 (0)3 778.09.52
weynlauwers@weynlauwers.be
www.weynlauwers.be

VACUUM BREAKER model 1000 technical data sheet

Description

Type	Vacuum breaker
Connections	Flanges EN PN-10,16 or ANSI 150# RF
Rating	PN-10
Material	Aluminium, carbon steel and Stainless steel
Temperature range	-10 to +260°C

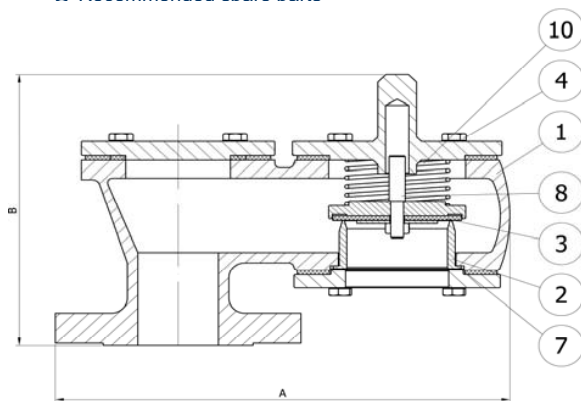
Requirements

Calculation	TOSACA 1001
Design	EN-12516-1, EN-1092-1
	DIN 259 & ANSI B2.1
Materials	EN
Inspection	EN-4126-1 / 7

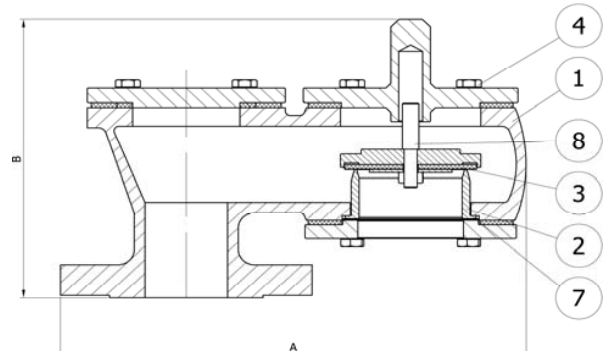
Construction and materials

Item	Description	Aluminium	Carbon steel	Stainless steel
1	Body	BS 1490 Gr LM6	ASTM A216 Gr WCB	ASTM A 351 Gr CF8
2	Seat	AISI-304	AISI-304	AISI-304
3	Diaphragm	PTFE	PTFE	PTFE
5	stem	AISI-304	AISI-304	AISI-304
6	Weatherhood	Aluminium	Aluminium	Aluminium
7	Birds screen	AISI-304	AISI-304	AISI-304

○ Recommended spare parts



Spring loaded



Weight loaded

Technical information

Applications	Air
Min. Set pressure	-2 mbar
Max. Set pressure	-750 mbar
Weight loaded	< 35 mbarg
Spring loaded	> 35 mbarg
Tolerance Set pressure	± 3%
Others materials	Hastelloy, Titanium

Dimensions

Model	1000	Flanges EN	ANSI	A	B	Weight (Kg)
		50	2"	280	145	10
		80	3"	400	165	12
		100	4"	440	180	14
		150	6"	610	220	20
		200	8"	720	370	30
		250	10"	840	390	40
		300	12"	1000	410	60

