

Weyn-Lauwers N.V.

Industriepark-Noord 12
B - 9100 SINT-NIKLAAS

Tel. : 00 32 (0)3 776.34.13
Fax : 00 32 (0)3 778.09.52
weynlauwers@weynlauwers.be
www.weynlauwers.be

**BUTTERFLY VALVES
WAFER TYPE
SS DISC
fig 210G**

DESIGN FEATURES

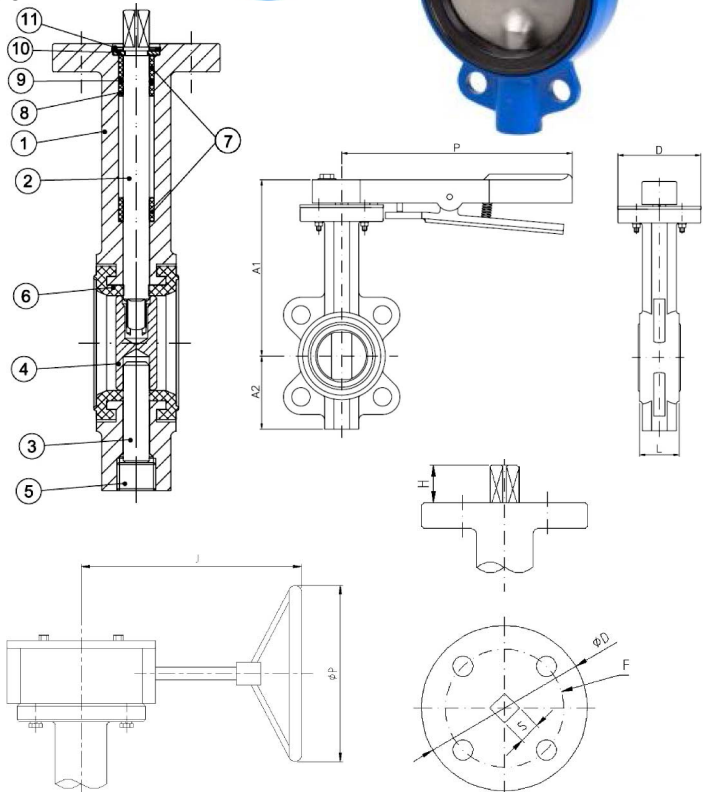
- **wafer type butterfly valve** dn50 - dn500 PN10/16
- temp : -20°C +120°C
- specifications :
 - SS disc / EPDM body seat
 - installation between flanges pn10/16 and ansi 150
 - mounting plate ISO 5211 - DIN 3337
 - face to face UNE EN 558-1 serie 20 (DIN 3202 K1)
 - from 12" handling with gear box

USE

- for all common fluids
- 16 bar up to dn300 / 10 bar for dn350 - dn500

MATERIALS

item	Part name	Material
1	body	cast iron GG20
2	stem	SS 316
3	pivot	SS 316
3	disc	SS 316
4	seat	EPDM
5	plug	carbon steel
6	seat	EPDM
7	bush	PTFE + graphite
8	bush	PTFE + graphite
9	O-ring	NBR
10	washer	bronze
11	stop ring	steel
12	plate	steel
13	handle (2"-6")	aluminium
13	handle (8"-10")	cast iron GG20



SIZE (in mm)

DN	50	65	80	100	125	150	200	250	300	350	400	450	500
Pmax(bar)	16	16	16	16	16	16	16	16	16	10	10	10	10
L	43	46	46	52	56	56	60	68	78	78	102	114	127
A1	238	238	238	270	300	300	300	330	360	390	420	445	480
A2	70	80	100	115	125	145	150	200	250	260	300	330	370
J									240	257	257	306	306
P	180	180	180	215	215	215	300	300	290	290	290	400	400
F	F05	F05	F05	F07	F07	F07	F07/10	F10	F10/12	F12	F14	F14	F14
S	11	11	11	14	14	14	17	22	22	22	27	27	36
D	65	65	65	90	90	90	125	125	150	150	175	175	175
H	30	30	30	30	30	30	30	40	40	45	45	45	45
Nm	12	20	27	39	58	90	120	180	340	640	805	1100	1500
kg	2,8	3,3	3,8	6,1	7,4	8,9	14,4	21,2	37,5	56,1	77,6	118,5	151,5
ref.	205823	205824	205825	205826	205827	205828	205829	205830	205831	205836	205821	210G.26	210G.28