



**Weyn-Lauwers** N.V.

Industriepark-Noord 12  
B - 9100 SINT-NIKLAAS

Tel. : 00 32 (0)3 776.34.13  
Fax : 00 32 (0)3 778.09.52  
weynlauwers@weynlauwers.be  
www.weynlauwers.be

# BUTTERFLY VALVES LUG TYPE NBR SEAT FOR GAS fig 255B GAS

## DESIGN FEATURES

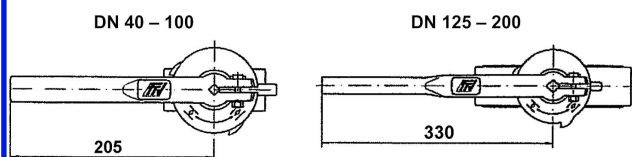
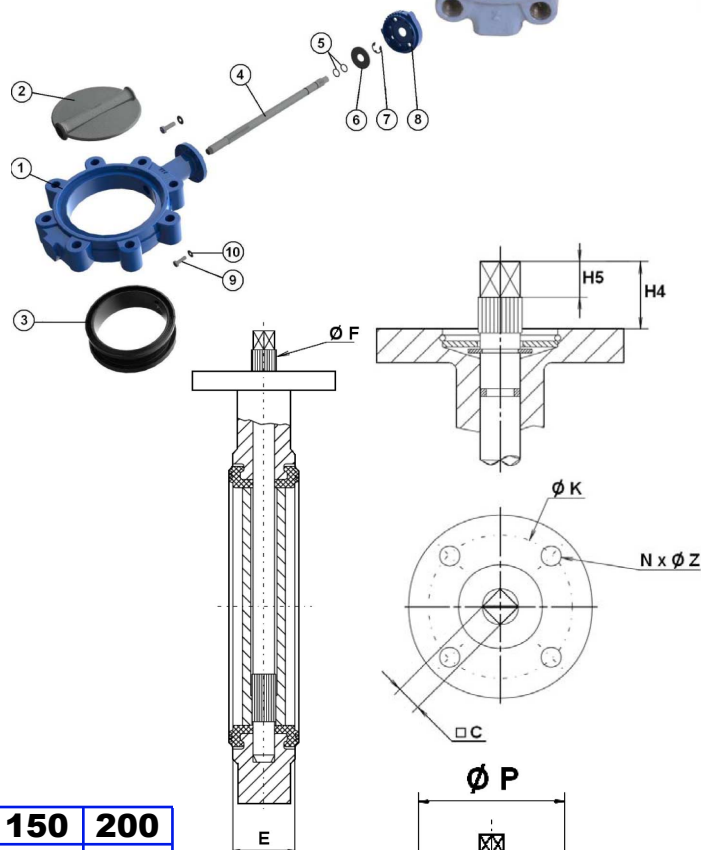
- **lug type butterfly valve** dn40 - dn200 PN10/16
- temp : -20°C +60°C
- specifications :
  - NBR body seat
  - installation between flanges pn10/16
  - mounting plate ISO 5211 - DIN 3337
  - long neck for isolation

## USE

- gas
- max. pressure 5 bar

## MATERIALS

item	Part name	Material
1	body	ductile iron EN GJS-500-7
2	disc DN40-DN100	SS 316
2	disc DN125-DN200	chromed D. iron
3	elastic ring	NBR for gas
4	stem	SS 304
5	O-ring	NBR
6	ring	Steel
7	circlips	Steel
8	plate	Aluminium
9	plate screw	5.6
10	washer	steel
	lever	aluminium



## SIZE (in mm)

DN	40	50	65	80	100	125	150	200
A	205	224	241	256	294	327	354	438
B	140	156	162	170	185	207	216	256
De	83	102	115	136	157	192	220	275
E	33	43	46	46	52	56	56	60
F	10,5	10,5	14,5	16,5	16,5	18,5	18,5	22,5
G	110	125	145	160	180	210	240	295
P	88	88	88	88	88	105	105	105
T	4xM16	4xM16	4xM16	8xM16	8xM16	8xM16	8xM20	8xM20
kg	2,7	3,96	4,31	5,52	6,98	11,4	11,6	18,9
C	8	8	9	11	11	14	14	17
ISO	F07	F07	F07	F07	F07	F07	F07	F07
H4	30	30	30	30	30	30	30	30
ref.	255B.08	255B.09	255B.10	255B.11	255B.12	255B.13	255B.14	255B.16

