



Weyn-Lauwers N.V.

Industriepark-Noord 12
B - 9100 SINT-NIKLAAS

Tel. : 00 32 (0)3 776.34.13
Fax : 00 32 (0)3 778.09.52
weynlauwers@weynlauwers.be
www.weynlauwers.be

BUTTERFLY VALVE LUG - PN16 FIG 260

DESIGN FEATURES

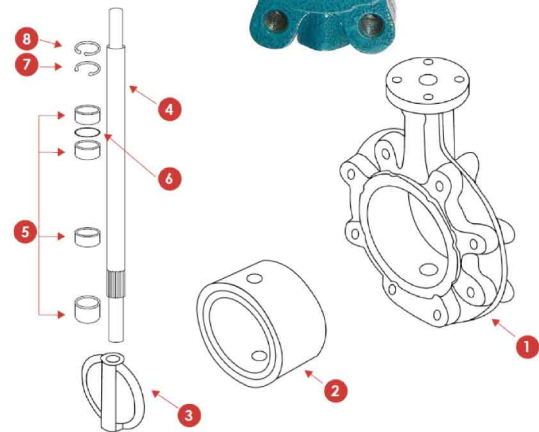
- cast iron butterfly valve dn40 - dn600 PN10/16
- temp : -15°C +110°C (+130°C temporarily)
- specifications :
 - long neck for isolation / vulcanised elastic ring
 - ISO 5211 mounting pad
 - 10 positions cranted lever up to dn300
 - starting from dn350 with gear box
 - mounting between ISO PN10/16 flanges

USE

- for all common fluids
- at the end of the pipe : max. 6 bar

MATERIALS

item	Part name	Material
1	body	cast iron EN GJL-250
2	elastic ring	EPDM
3	disc	inox 316
4	stem	inox 316
5	bearing	PTFE
6	O-ring	EPDM
7	circlip	steel
8	circlip	steel
	lever	aluminium



FLOW COEFFICIENT Kv (m3/h)

Opening angle	DN	40	50	65	80	100	125	150	200	250	300
	10°	0,04	0,05	0,09	0,17	0,26	0,43	0,68	1,7	2,6	3,4
20°	2	3	5	8	15	25	38	76	129	200	
30°	5	6	10	15	31	52	81	160	273	422	
40°	10	13	21	33	67	113	175	348	592	914	
50°	18	23	38	60	119	202	312	620	1055	1630	
60°	30	38	64	99	196	334	516	1025	1746	2697	
70°	48	60	102	156	310	529	817	1623	2764	4269	
80°	72	90	152	235	466	793	1226	2434	4145	6403	
90°	78	98	167	258	512	872	1347	2675	4555	7037	

SIZE (in mm)

DN	40	50	65	80	100	125	150	200	250	300	350	400	450	500	600
A	130	137	142	158	180	192	215	242	280	310	367	394	419	474	565
B	61	77	88	95	107	122	144	171	205	235	266	324	341	374	478
C	82	95	109	127	152	180	207	260	315	370	418	470	525	570	697
D	33	43	46	46	52	56	56	60	68	78	78	102	114	127	154
E	70	70	70	70	70	71	71	40	44	44					
F	195	195	195	195	195	278	278	355	507	507					
G	65	65	65	65	65	90	90	125	150	150	150	150	210	210	300
stem	9	9	9	9	11	14	14	17	22	27	27	27	30	36	46
ISO	F05	F05	F05	F05	F05	F07	F07	F10	F12	F12	F12	F12	F16	F16	F16
kg	2,43	3,13	3,73	4,98	5,64	9,06	11,0	16,7	31,4	42	75,9	116	147	203	310
ref.	206101	206102	206103	206104	206105	206106	206107	206108	206109	206110	206071	206072	206073	206074	206075

